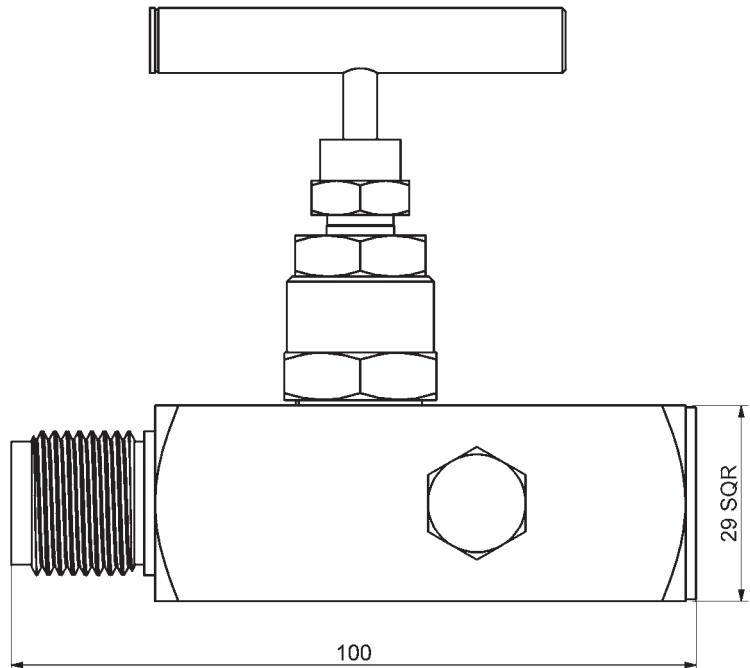
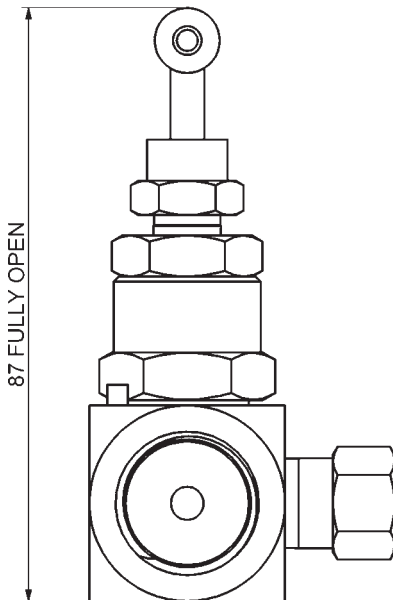


**MODEL-E1**  
**In Line Needle Valve with Vent Plug**  
**Rated 400 BAR / 6000 PSI**



Valve Colour Coding	Instrument
<b>ISOLATE</b>	 Process
<b>VENT</b>	
<b>EQUALIZE</b>	



**STEWART-BUCHANAN GAUGES LTD**

Sales Office & Manufacturing Facility,  
Burnside Industrial Estate, Kilsyth, Glasgow, G65 9JX, SCOTLAND  
Tel:- +44 (0)1236 821533  
Fax:- +44 (0)1236 824090  
E-Mail:- sales@stewarts-group.com  
Web Site:- www.stewarts-group.com