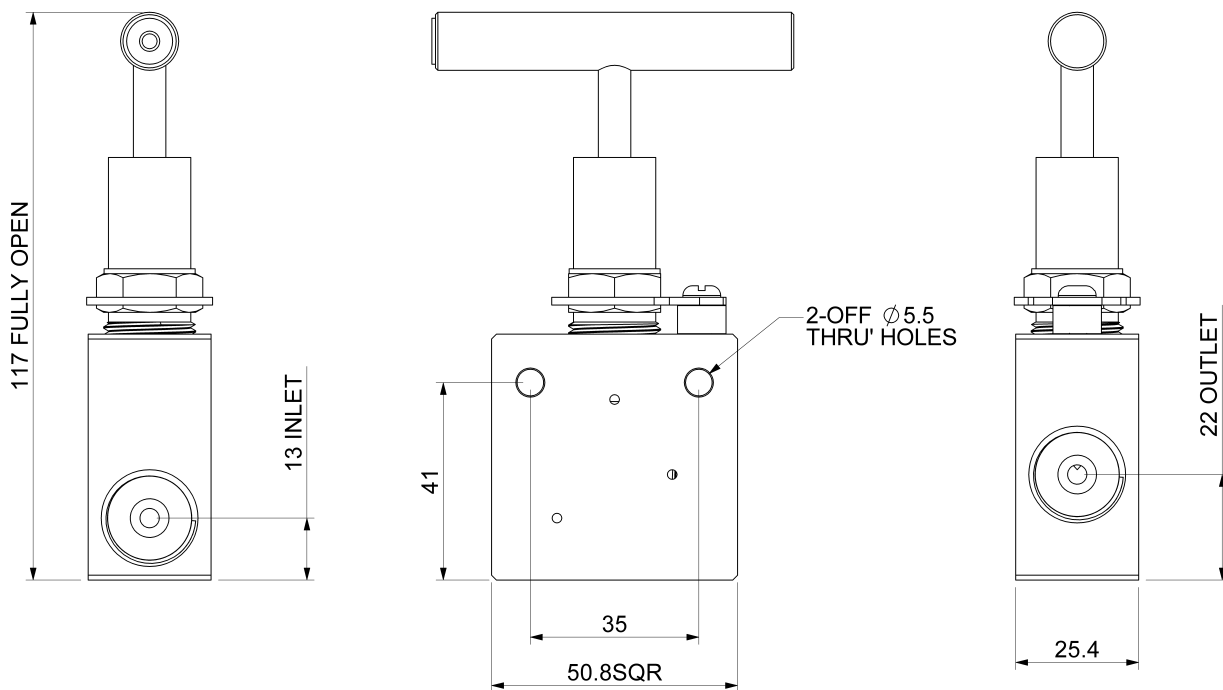
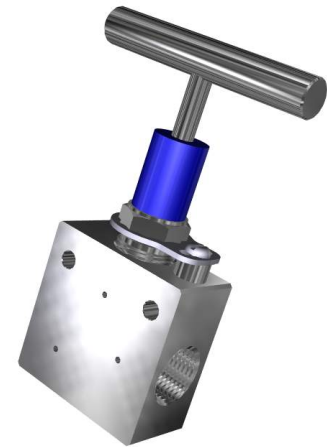


MODEL-J1
In Line Needle Valve
Female / Female
Rated 2,000 BAR / 30,000 PSI



Valve Colour Coding		Instrument
ISOLATE	VENT	
EQUALIZE		



STEWART-BUCHANAN GAUGES LTD

Sales Office & Manufacturing Facility.
 Burnside Industrial Estate, Kilsyth, Glasgow, G65 9JX, SCOTLAND
 Tel:- +44 (0)1236 821533
 Fax:- +44 (0)1236 824090
 E-Mail:- sales@stewarts-group.com
 Web Site:- www.stewarts-group.com