

300 Series

63mm Dial Size PRESSURE GAUGES with STAINLESS STEEL CASES

These HEAVY DUTY pressure gauges are suited to many arduous applications throughout a broad range of industries. The glycerine-filled stainless steel case makes the gauges entirely weather-proof for outdoors

Case & Bezel

AISI 304 Stainless steel

Mounting

- Direct Bottom - Model 308
- Direct Rear - Model 315
- Panel via Clamp - Model 312
- Panel via Front Flange - Model 311

Window

Plexiglass

Dial

Aluminium, white, dual scale, red/black

Pointer

Aluminium with black finish

Bourdon Tube

Phosphor Bronze

Movement

Brass

Socket (connection)

Brass 1/4"BSPT

Accuracy

+/-3% F.S. Complies with AS1349-1986

Dial Size

63mm

Restrictor

Standard



MODEL 312



MODEL 315



MODEL 311



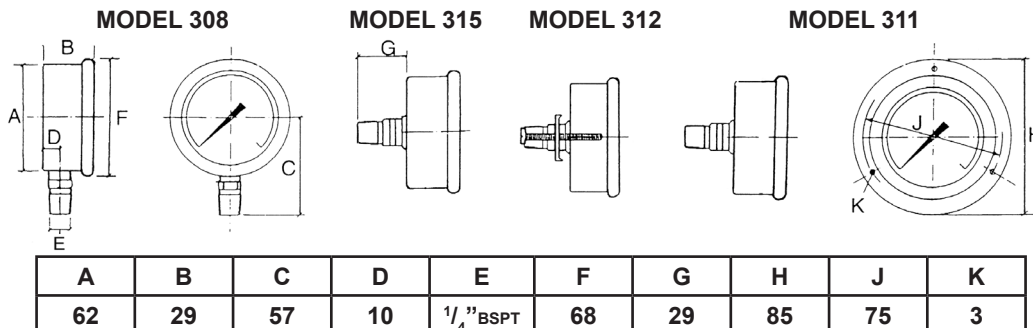
MODEL 308

STANDARD kPa SCALE RANGES and ORDERING CODES

Range kPa (psi)	Order Code	Range kPa (psi)	Order Code	Range kPa (psi)	Order Code
-100/+150 (30"Hg/0/22psi)	43	0/250 (0-36)	72	0/4000 (0-580)	79
-100/+300 (30"Hg/0/42psi)	44	0/400 (0-58)	73	0/6000 (0-860)	80
-100/+500 (30"Hg/0/70psi)	45	0/600 (0-86)	74	0/10,000 (0-1400)	81
-100/+900 (30"Hg/0/130psi)	46	0/800 (0-114)	98	0/16,000 (0-2300)	82
-100/0 (30-0"Hg)	16	0/1000 (0-140)	75	0/25,000 (0-3500)	84
0/100 (0-14)	69	0/1600 (0-230)	76	0/40,000 (0-5800)	86
0/160 (0-23)	70	0/2500 (0-350)	78	0/60,000 (0-8600)	87

When ordering, simply quote Model No and the range code. e.g. for Model 308, 0-1000kPa specify 308-75

DIMENSIONS mm



WARNING:

*Do not use glycerine filled gauges in any service which may include strong oxidising agents including (but not limited to) Chlorine, Nitric Acid, Hydrogen Peroxide. Such combinations can result in an explosion.

Note: Not all pressure gauges are suitable for every application. Special gauges are required for any gas or air over 2500 kPa, and for Oxygen or Acetylene at any pressure. For acids, slurries and other substances, specific materials or diaphragm seals may be needed. Please specify the application to ensure the correct gauge is offered.

Sales of ALL products are subject to our General Conditions of Quotation & Supply. Technical specifications are subject to change without prior notice.

