

200 Series

SCHAFFER DIAPHRAGM GAUGES

A Heavy Duty Stainless Steel Diaphragm gauge for use on many applications.

Case

304 Stainless steel

Bezel

304 Stainless steel

Window

Standard sheet glass, perspex or polycarbonate

Dial

Aluminium

Pointer

Adjustable aluminium with black finish

Movement

304 Stainless steel

Top Chamber

316 Stainless steel

Bottom Chamber

316 Stainless steel or PVC and PTFE available

Diaphragm

316 Stainless Steel up to 0/250kPa

Spring steel PTFE coated 0/400 to 0/2500kPa

Teflon or Halar coated option available.

Connection

1/2"BSPP or 1/2"NPT - Bore 10mm

Dial Size

100mm & 160mm

Accuracy

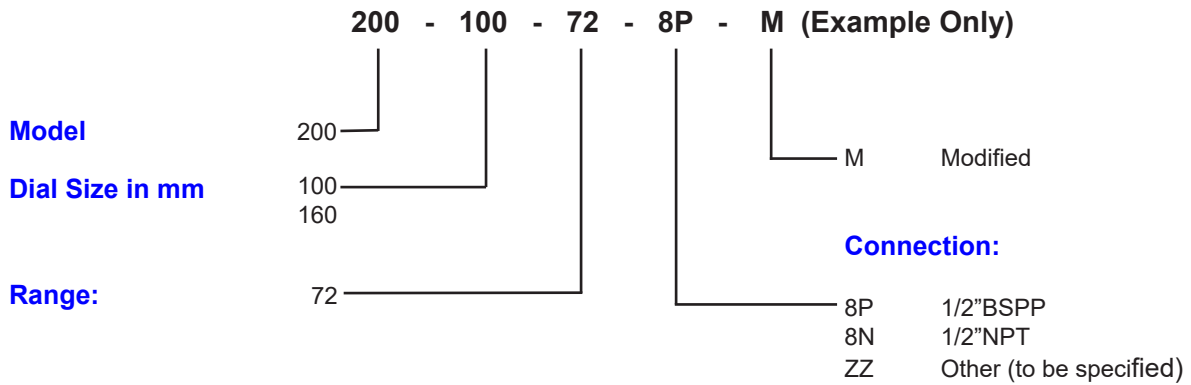
1.6% F.S.

Overload

1.3 x range



STANDARD MODELS



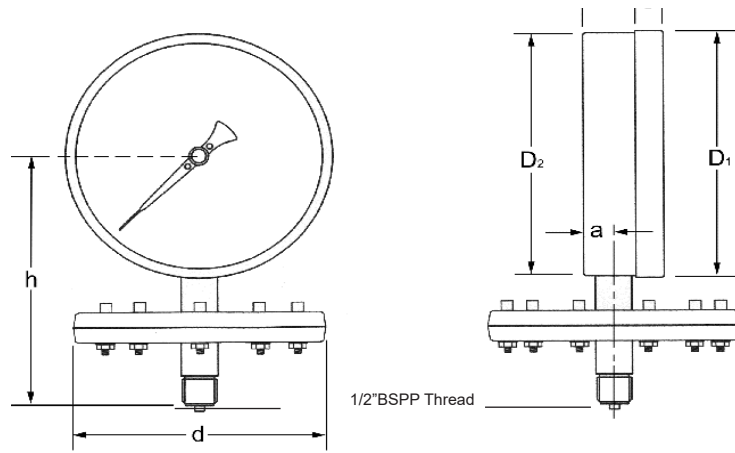
STANDARD RANGES

Range kPa	Order Code	Range kPa	Order Code	Range kPa	Order Code
-2.5/0	60V	0/2.5	60	0/100	69
-4/0	61V	0/4	61	0/160	70
-6/0	62V	0/6	62	0/250	72
-10/0	63V	0/10	63	0/400	73
-16/0	64V	0/16	64	0/600	74
-25/0	65V	0/25	65	0/1000	75
-40/0	66V	0/40	66	0/1600	76
-100/0	16	0/60	67	0/2500	78

Chamber Size: Ranges 0/2.5 to 0/40 kPa : 160mm
 Ranges 0/60 kPa to 0/2500 kPa : 100mm

Sales of ALL products are subject to our General Conditions of Quotation & Supply.
 Technical specifications are subject to change without prior notice.

DIMENSIONS: Standard Version

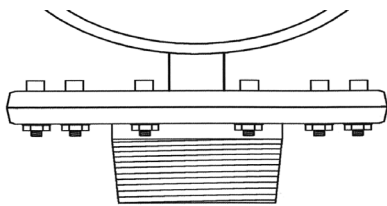


DIMENSIONS

Dial Size	Chamber Size	Ranges kPa	Dimensions (mm)							Weight (kg)
			d	a	b	D1	D2	e	h	
100mm	160mm	2.5 to 40	152	16	48.5	112	98	17.5	118	3.0
100mm	100mm	60 to 2500	100	16	48.5	112	98	17.5	118	1.8
160mm	160mm	2.5 to 40	152	16	49.5	161	157	17.5	146	3.3
160mm	100mm	60 to 2500	100	16	49.5	161	157	17.5	146	2.1

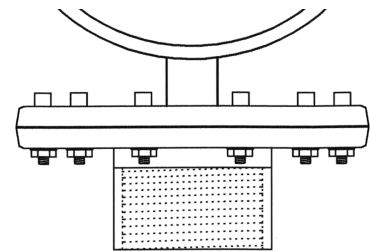
COMMON OPTIONAL PROCESS CONNECTIONS

Male Threads



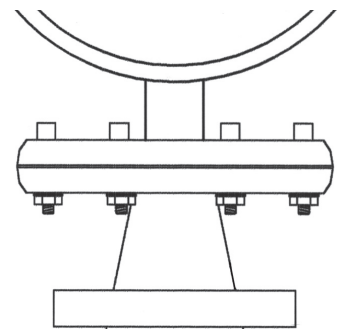
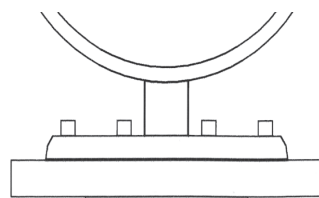
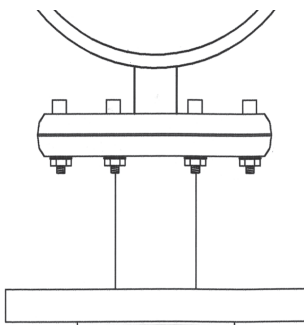
100mm Chamber: Up to 2" BSP or NPT
152mm Chamber: Up to 4" BSP or NPT

Female Threads



100mm Chamber: Up to 1.5" BSP or NPT
152mm Chamber: Up to 3" BSP or NPT

Flanged



All flange "types" ANSI, Table etc.
Wide selection of sizes 1/2", 3/4", 1" & larger as required.
"Style" used dependent on pressure range (chamber size) & customer requirements.

Rev 2