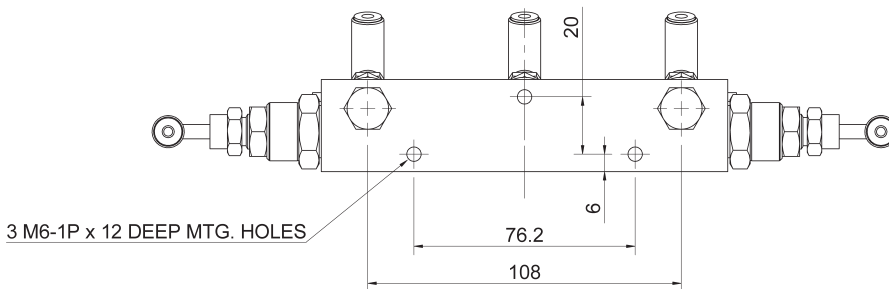
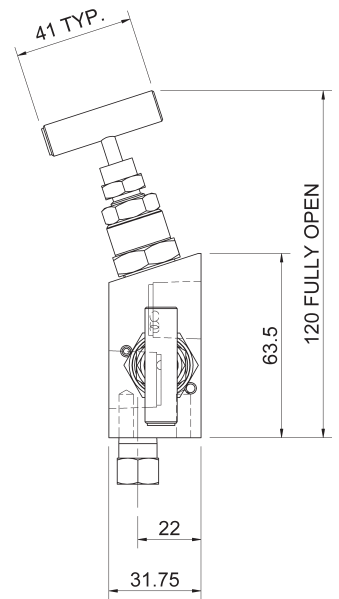
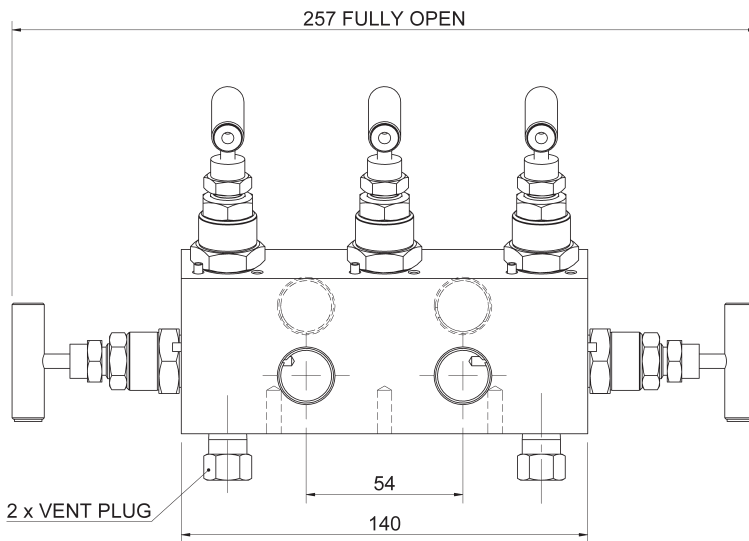
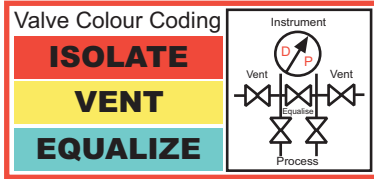


MODEL-R5
Remote Mount Angled Bonnet Pipe To Pipe
5-Valve Manifold
Rated 400 BAR / 6000 PSI



STEWART-BUCHANAN GAUGES LTD

Sales Office & Manufacturing Facility.
 Burnside Industrial Estate, Kilsyth, Glasgow, G65 9JX, SCOTLAND
 Tel:- +44 (0)1236 821533
 Fax:- +44 (0)1236 824090
 E-Mail:- sales@stewarts-group.com
 Web Site:- www.stewarts-group.com