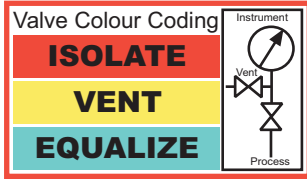
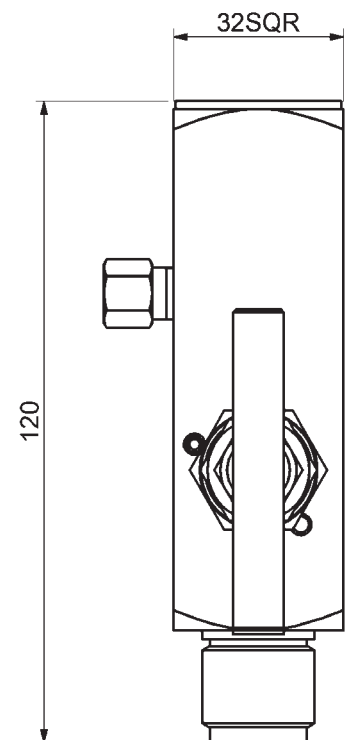
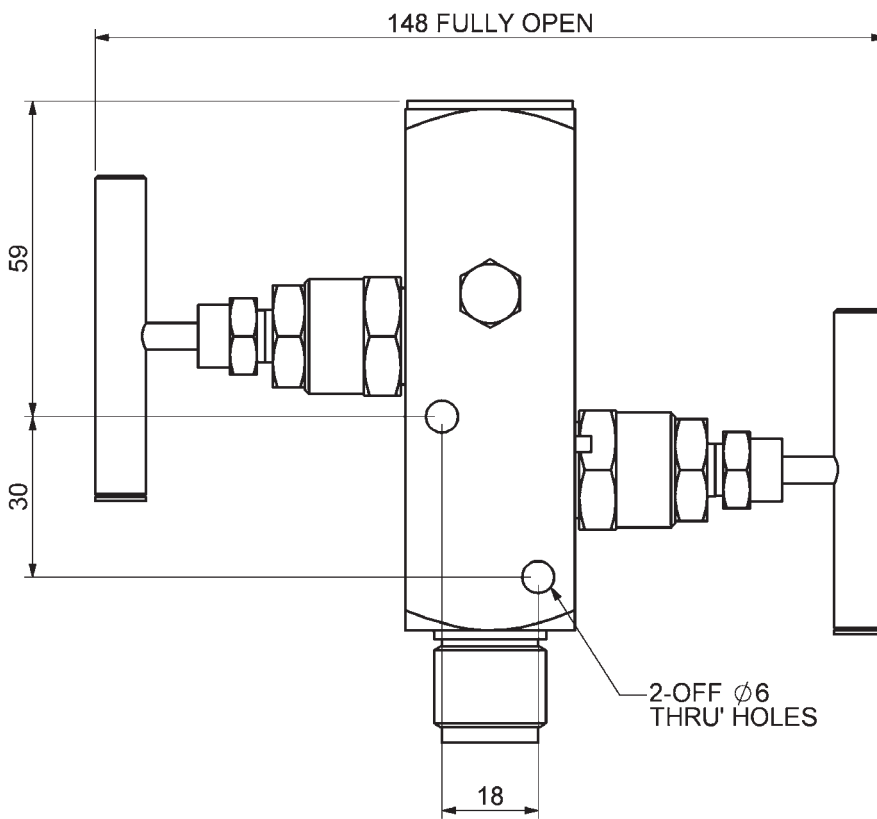


MODEL-L2
Remote Mount 2-Valve Manifold
Male / Female
Rated 400 BAR / 6000 PSI



Weight=1kg



STEWART-BUCHANAN GAUGES LTD

Sales Office & Manufacturing Facility,
Burnside Industrial Estate, Kilsyth, Glasgow, G65 9JX, SCOTLAND
Tel:- +44 (0)1236 821533
Fax:- +44 (0)1236 824090
E-Mail:- sales@stewarts-group.com
Web Site:- www.stewarts-group.com