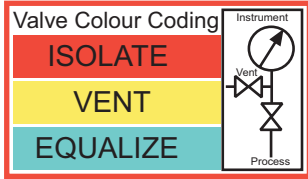


**MODEL-K2**  
**Angled Bonnet 2-Valve Manifold**  
**Female / Female**  
**Rated 413 BAR / 6000 PSI**



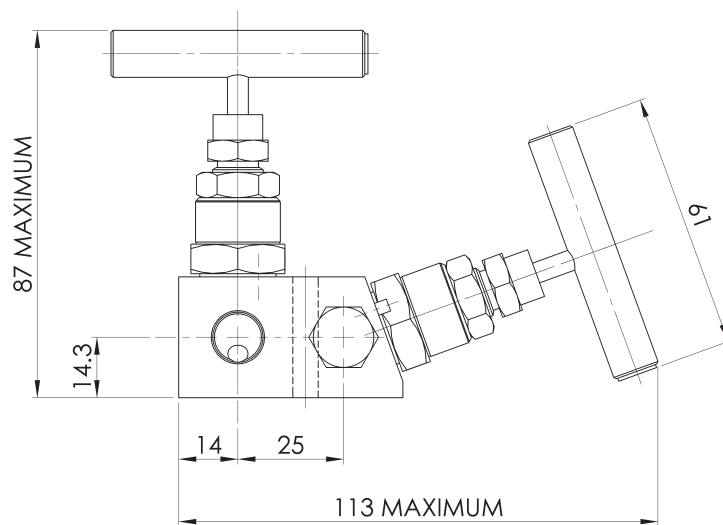
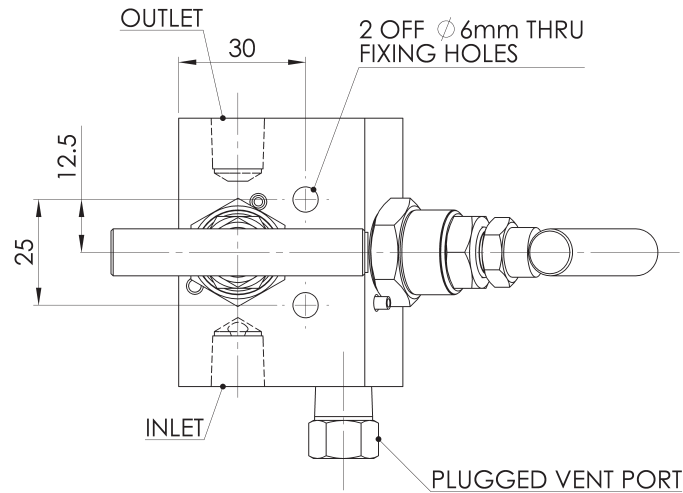
Weight=0.9kg



Threaded connections (Pipe-to-Pipe) 6,000psi (413bar) rated.

The two-valve isolating and venting manifold used mainly in gauge and static instrument applications such as pressure switches, pressure transmitters and manometers.

The manifold will isolate instrumentation from the process and allow venting of the instrument for calibration / removal from the circuit without effecting the process / application and or recovery of a sample etc. Standard 1/2" inlet x 1/2" outlet with a 1/4" vent port supplied plugged as standard for safety.



**STEWART-BUCHANAN GAUGES LTD**

Sales Office & Manufacturing Facility.  
 Burnside Industrial Estate, Kilsyth, Glasgow, G65 9JX, SCOTLAND  
 Tel:- +44 (0)1236 821533  
 Fax:- +44 (0)1236 824090  
 E-Mail:- sales@stewarts-group.com  
 Web Site:- www.stewarts-group.com