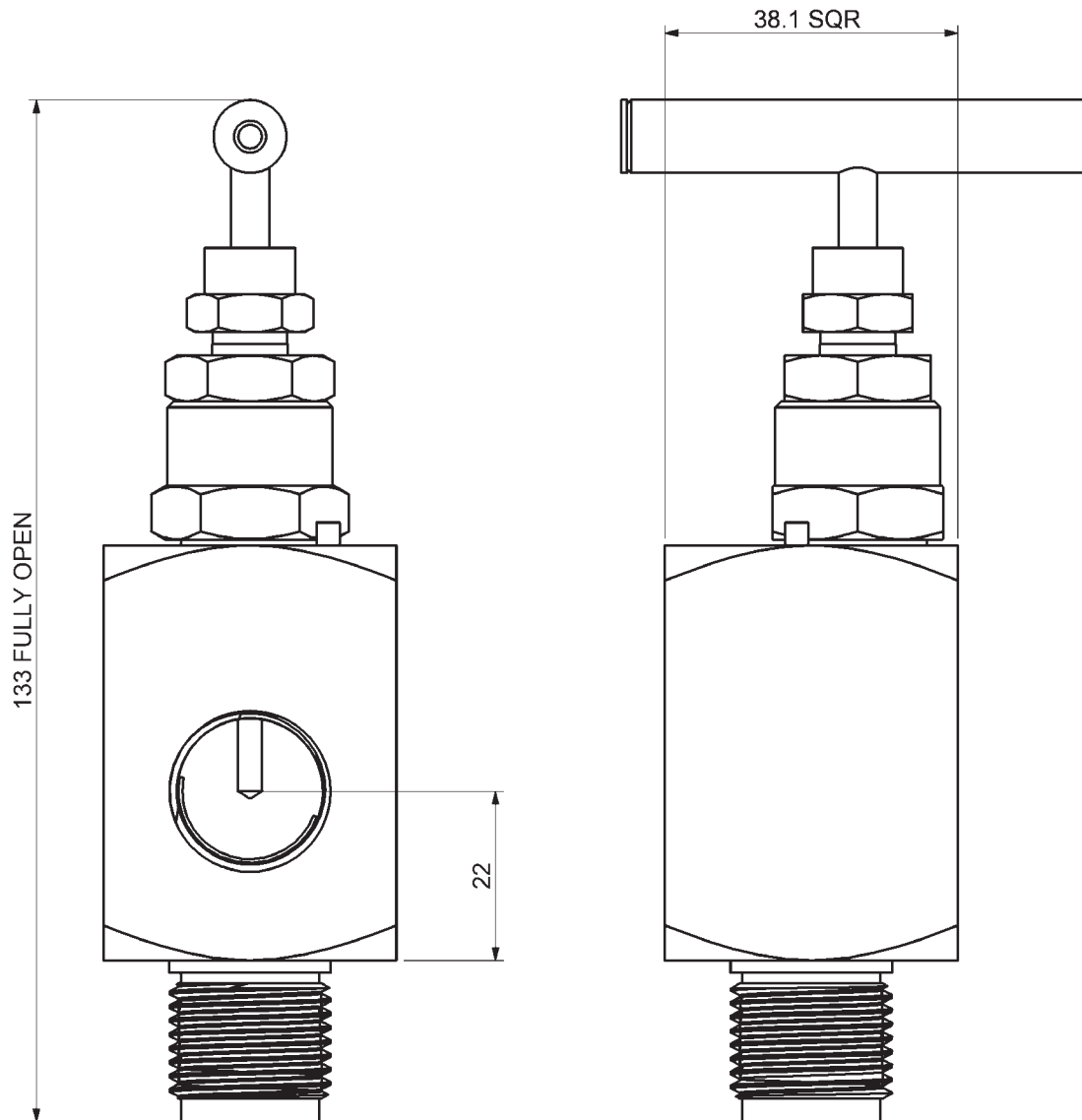
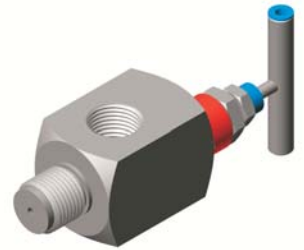


MODEL-B1
Right Angled Needle Valve
Rated 400 BAR / 6000 PSI



Valve Colour Coding	
ISOLATE	 Instrument
VENT	
EQUALIZE	
 Process	



STEWART-BUCHANAN GAUGES LTD

Sales Office & Manufacturing Facility.
Burnside Industrial Estate, Kilsyth, Glasgow, G65 9JX, SCOTLAND
Tel:- +44 (0)1236 821533
Fax:- +44 (0)1236 824090
E-Mail:- sales@stewarts-group.com
Web Site:- www.stewarts-group.com