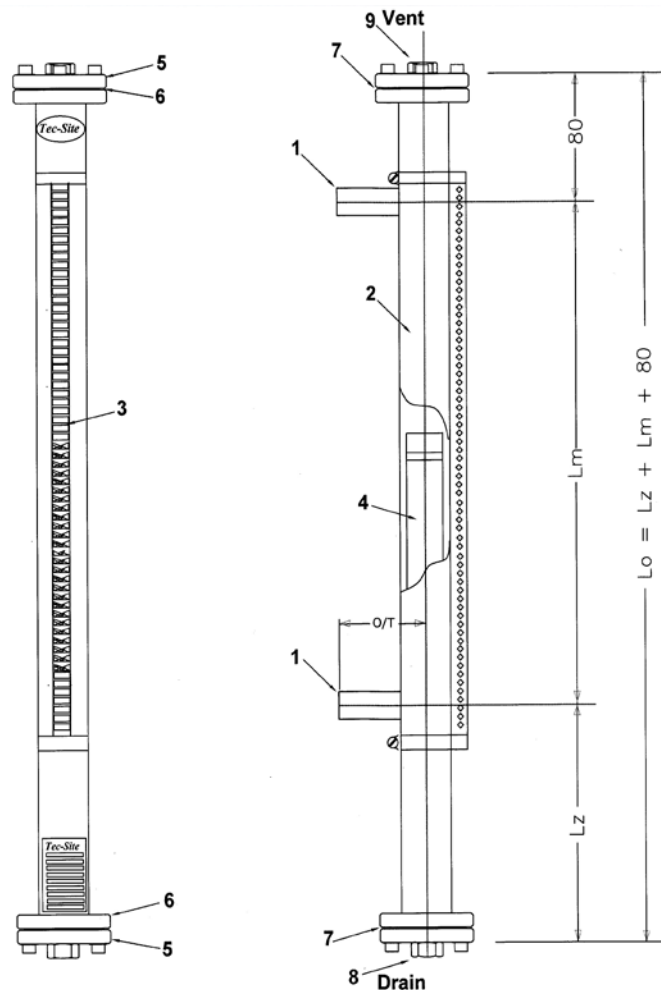


Magnetic Rotor Level Indicator

For working pressures up to 1000kPa



1. Process Connections : Threaded female, 316L St St
 2. Float Chamber : 316L StSt, 38mm O.D. x 1.6mm wall
 3. Indication Rail : Polycarbonate/Aluminium, colours red/white (standard)
 4. Float : Polypropylene
 5. End flanges : 316L St St, tapped 1/2"NPT (plugged)
 6. Float tube Flanges : 316L St St
 7. Gaskets : Buna N
 8. Drain : 316SS, 1/2"NPT (plugged)
 9. Vent : 316SS, 1/2"NPT (plugged)
- Lz Lengths : SG 0.8 : 290mm, SG 1.0 : 230mm, SG 1.2 : 175mm
 O/T : 1/2" & 3/4"BSP = 45mm, 1/2" & 3/4"NPT = 60mm

Pressure Rating : 1000 kPa, hydro tested (cert included) to 1250 kPa.
 Temperature rating : 100 Deg C

**Sales of ALL products are subject to our General Conditions of Quotation & Supply.
 Technical specifications are subject to change without prior notice.**