

# 300 Series

## 63mm Dial Size PRESSURE GAUGES with STAINLESS STEEL CASES

These **HEAVY DUTY** pressure gauges are suited to many arduous applications throughout a broad range of industries. The glycerine-filled stainless steel case makes the gauges entirely weather-proof for outdoors as well as indoor use.

### Case & Bezel

AISI 304 Stainless steel

### Mounting

- Direct Bottom - Model 308
- Direct Rear - Model 315
- Panel via Clamp - Model 312
- Panel via Front Flange - Model 311

### Window

Plexiglass

### Dial

Aluminium, white, dual scale, red/black

### Pointer

Aluminium with black finish

### Bourdon Tube

Phosphor Bronze

### Movement

Brass

### Socket (connection)

Brass 1/4"BSPT

### Accuracy

+/-3% F.S. Complies with AS1349-1986

### Dial Size

63mm

### Restrictor

Standard



MODEL 312



MODEL 315



MODEL 311



MODEL 308

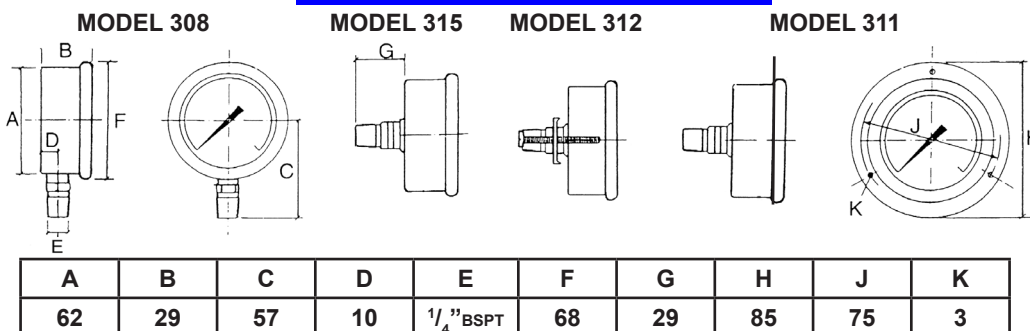
**WARNING:** Do not use glycerine-filled gauges in any service which may include strong oxidising agents including (but not limited to) Chlorine, Nitric-Acid, Hydrogen Peroxide. Such combinations can result in an explosion.

### STANDARD kPa SCALE RANGES and ORDERING CODES

Range kPa (psi)	Order Code	Range kPa (psi)	Order Code	Range kPa (psi)	Order Code
-100/+150 (30"Hg/0/22psi)	43	0/250 (0-36)	72	0/4000 (0-580)	79
-100/+300 (30"Hg/0/42psi)	44	0/400 (0-58)	73	0/6000 (0-860)	80
-100/+500 (30"Hg/0/70psi)	45	0/600 (0-86)	74	0/10,000 (0-1400)	81
-100/+900 (30"Hg/0/130psi)	46	0/800 (0-114)	98	0/16,000 (0-2300)	82
-100/0 (30-0"Hg)	16	0/1000 (0-140)	75	0/25,000 (0-3500)	84
0/100 (0-14)	69	0/1600 (0-230)	76	0/40,000 (0-5800)	86
0/160 (0-23)	70	0/2500 (0-350)	78	0/60,000 (0-8600)	87

When ordering, simply quote Model No and the range code. e.g. for Model 308, 0-1000kPa specify 308-75

### DIMENSIONS mm



Sales of ALL products are subject to our General Conditions of Quotation & Supply.  
Technical specifications are subject to change without prior notice.