

# 3" & 5" Rigid Stem Thermometers

Stainless Steel Rigid Stem Bi-Metal Thermometers available in 3" and 5" dials.

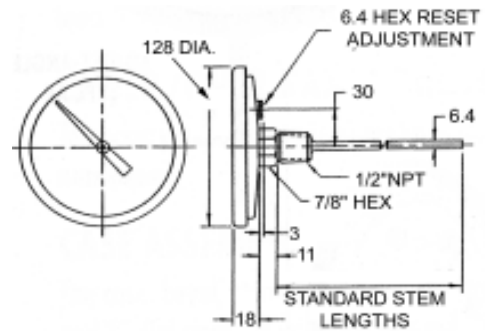
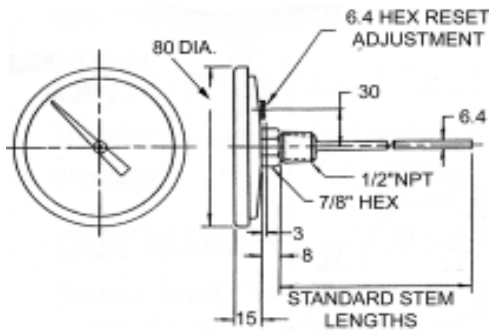
## STANDARD FEATURES

- All Stainless steel construction
- Accurate to +/- 1% of scale range
- Gasketed glass face
- External recalibration adjustment
- White dial with black markings
- Case is sealed to exclude dirt, dust & moisture

Type 3A (3" Dial)

Rear Form

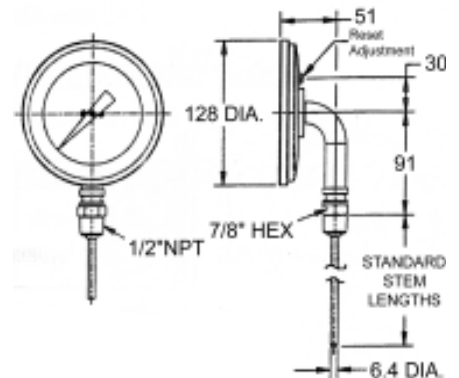
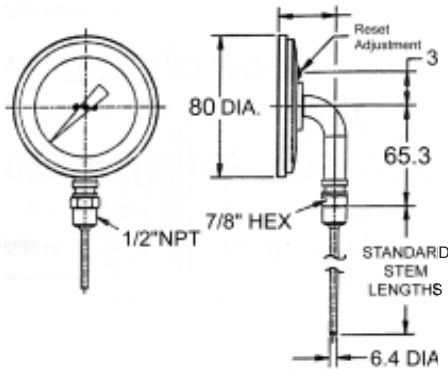
Type 5A (5" Dial)



Type 3S (3" Dial)

Bottom/Straight Form

Type 5S (5" Dial)



### ORDER CODE

Stem Length	5" (127mm Dial)		3" (76mm Dial)	
	Rear	Bottom	Rear	Bottom
2.5"	5A02	5S02	3A02	3S02
4"	5A04	5S04	3A04	3S04
6"	5A06	5S06	3A06	3S06
9"	5A09	5S09	3A09	3S09
12"	5A12	5S12	3A12	3S12
15"	5A15	5S15	3A15	3S15
18"	5A18	5S18	3A18	3S18
24"	5A24	5S24	3A24	3S24

### SINGLE SCALE

### DUAL SCALE

RANGE CODE	CELSIUS (Fahrenheit also available)	RANGE CODE	FAHRENHEIT (on outside)		CELSIUS (on inside)
03	-50/50°C	35	-40/120°F		-40/50°C
15	0/100°C	36	-40/160°F		-40/70°C
10	-10/110°C	37	30/130°F		0/55°C <sup>2</sup>
12	0/50°C <sup>2</sup>	38	0/200°F		-20/90°C
18	0/150°C	39	0/250°F		-20/120°C
21	0/200°C	40	50/300°F		10/150°C
23	0/300°C	41	50/400°F		10/200°C
28	50/450°C <sup>1*</sup>	42	50/550°F		10/290°C
34	100/500°C <sup>1*</sup>	43	100/800°F		40/450°C <sup>1*</sup>
		44	200/1000°F		100/550°C <sup>1*</sup>

Sample Order Code: 5A12-10 (10 denotes range of -10/110 Deg C)

\* Not recommended for continuous service above 425 deg. C.

<sup>1</sup> Minimum stem length for these ranges 4".

<sup>2</sup> Minimum stem length for bottom connection is 4".

Sales of ALL products are subject to our General Conditions of Quotation & Supply.  
Technical specifications are subject to change without prior notice.

**AMBIT INSTRUMENTS PTY LTD**

ABN No 50 005 613 641

42 TITAN DRIVE CARRUM DOWNS Vic 3201 AUSTRALIA.

Phone: 03.9776.8888 Fax: 03 9776.8656

Email: [contact@ambitinst.com.au](mailto:contact@ambitinst.com.au)

[www.ambitinst.com.au](http://www.ambitinst.com.au)

