

Normond C & E Series Analogue Gauges

Robust, Hydrostatic Gauges



The Normond series of Analogue Gauges are popular choices for commercial sites. Featuring a hand pump mechanism the gauges do not require any power and are therefore ideally suited for hazardous environments

The C series is a simple gauge which gives a dial reading in volume, weight or height and is suitable for tanks up to 3m high.

The E series gauge gives a % full reading and is suitable for tanks up to 9.2m high.

These gauges are robust, weather resistant and can be relied upon to consistently perform for many years with little maintenance.

- For fuel oils and other liquids
- Suitable for hazardous environments
- Caters for tanks with difficult access
- Large format dials for easy reading
- Weather-resistant
- Minimal maintenance
- Simple to install
- Highly reliable with thousands installed

Cameron Forecourt
The UK's Leading Fuelling Solutions Specialists

Normond Gauge C and E Series Analogue Gauges

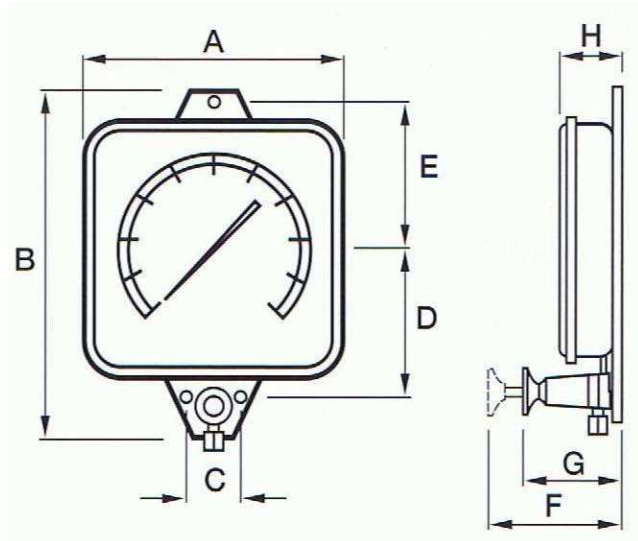
Technical Information

The Normond C and E series of analogue gauges operate on the hydrostatic principal with a hand pump, which means that no power supply is needed. The pump displaces the liquid from the balance chamber, resulting in back pressure which is detected by the gauge and displayed on the dial.

The C series gauge shows a reading in volume, weight or height, whereas the E series gauge displays how full the tank is as a % reading. Customers can normally self-install both gauges.

Gauges are supplied with a standard balance chamber, 'BCKIT' which is complete with 10 metres of PVC connection tube and brass weight.

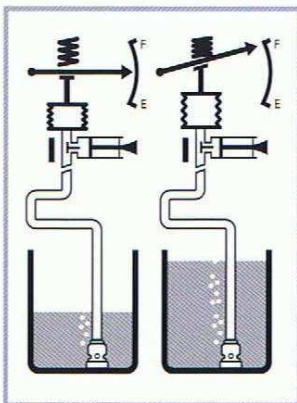
Dial Face Specification



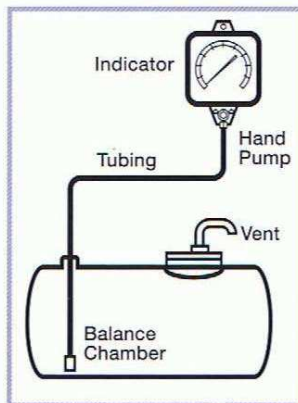
Dial Face Size

A	B	C	D	E	F	G	H
170mm	240mm	38mm	95.5mm	96.5mm	148mm	111mm	54mm

Operation



Installation



Maintenance, Calibration and Testing Services

The C series is individually calibrated to the size of the tank and to satisfy customer requirements. The gauges can be recalibrated if required and calibration certificates are supplied with each gauge.

The E series gauges are self-calibrated on site. Each gauge is supplied with a one year warranty.

Balance Chamber Technical Information



C and E Series Balance Chamber

Construction	Brass
Application (non food)	Fuel oil and other liquids compatible with PVC
Connecting capillary tube	10 Metres of PVC tube supplied as standard
Outer casing	Abs plastic
Maximum tank size	Up to 9m high dependent on BC used
Minimum tank entry	13mm for standard BC
Maximum temperature	38°C with standard BC
Maximum viscosity measured in redwood No 1 @ 16°C	Dependant on the BC used with the gauge

Please Note:

The gauges are not compatible with vapour recovery systems

Cameron Forecourt Limited
 Chambers Road, Platts Common Industrial Estate
 Barnsley, South Yorkshire, S74 9SE
 Tel: 01226 742 441—Fax: 01226 747 441
 Email: normondgauges@cameron-forecourt.co.uk
 www.cameron-forecourt.co.uk

Cameron Forecourt
 The UK's Leading Fuelling Solutions Specialists