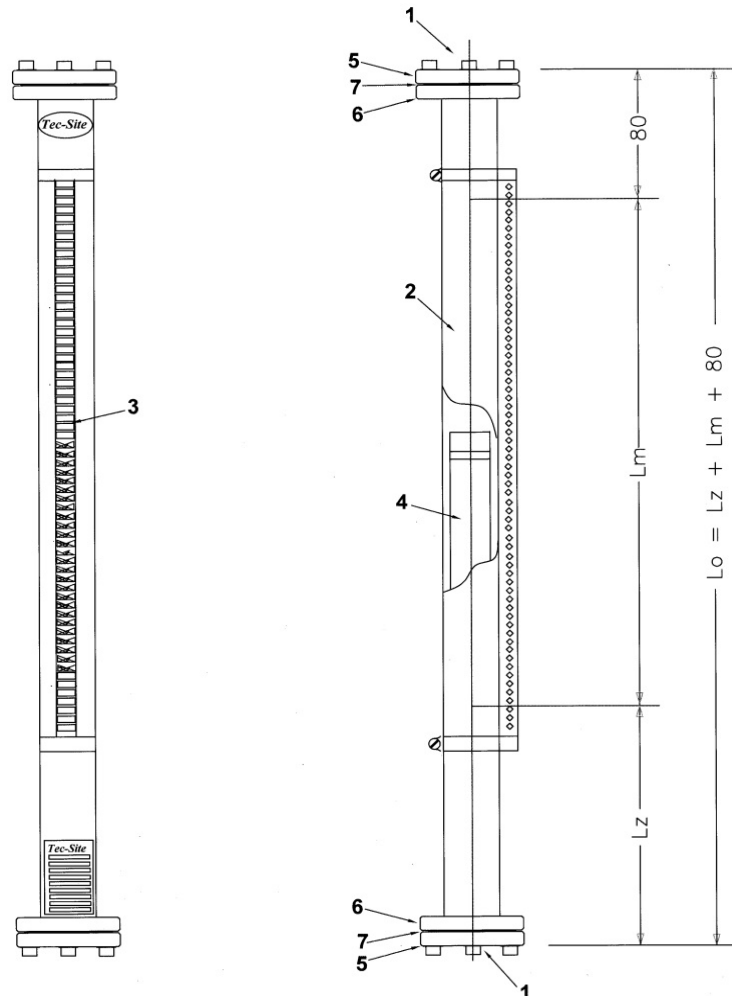


Magnetic Rotor Level Indicator

For working pressures up to 1000kPa



1. Process Connections : Threaded 1/2" NPT female
 2. Float Chamber : 316L StSt, 38mm O.D. x 1.6mm wall
 3. Indication Rail : Polycarbonate/Aluminium, colours red/white (standard)
 4. Float : Polypropylene
 5. End Flanges : 316L St St, tapped 1/2"NPT
 6. Float tube Flanges : 316L St St
 7. Gaskets : Buna N
- Lz Lengths : SG 0.8 : 290mm, SG 1.0 : 230mm, SG 1.2 : 175mm

Pressure Rating : 1000 kPa, hydro tested (cert included) to 1250 kPa.

Temperature rating : 100 Deg C

**Sales of ALL products are subject to our General Conditions of Quotation & Supply.
Technical specifications are subject to change without prior notice.**



ACN No 50 005 613 641

42 TITAN DRIVE CARRUM DOWNS 3201 VICTORIA AUSTRALIA.

Phone: 03.9776.8888 Fax: 03 9776.8656

Email: contact@ambitinst.com.au

www.ambitinst.com.au



LAB No 3103