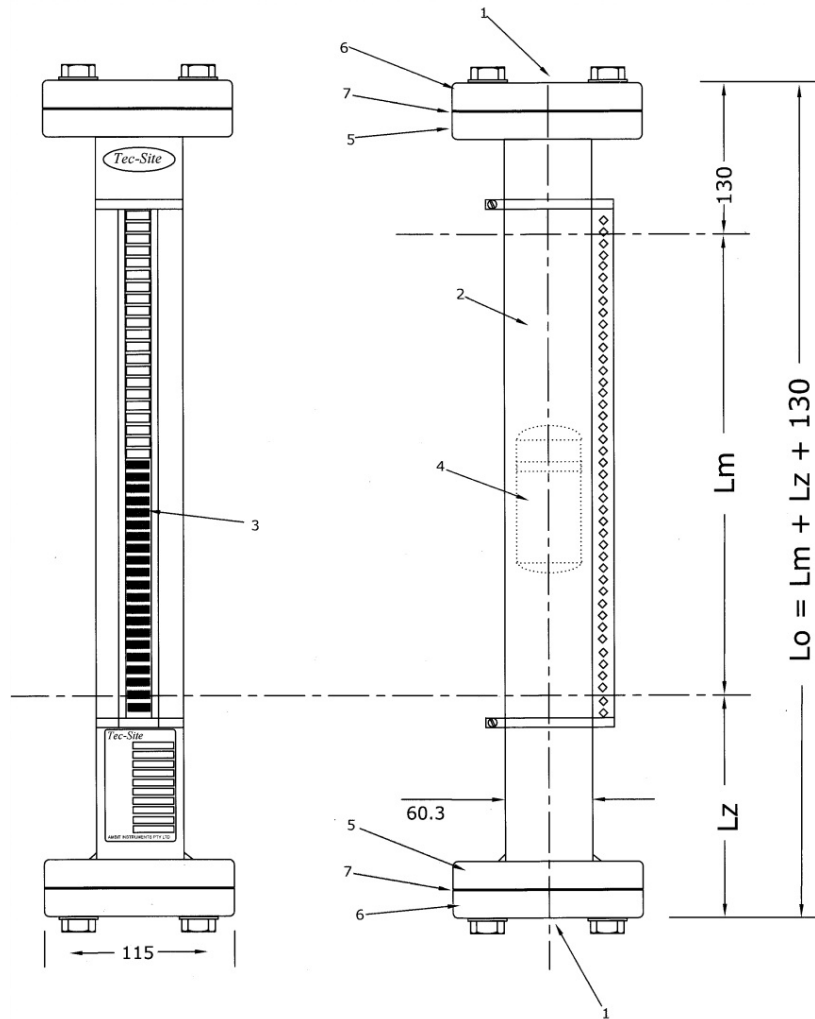


Magnetic Rotor Level Indicator

For working pressures up to 1600kPa



1. Process Connections : Threaded 1/2" NPT female
 2. Float Chamber : 316L StSt, 50mm Sched 10, welded seam
 3. Indication Rail : Polycarbonate/Aluminium, colours red/white (standard)
 4. Float : Standard 316SS, Titanium for Low Density
 5. Float tube Flange : 316L St St
 6. End Flange : 316L St St, tapped 1/2"NPT
 7. Gasket : Tensit BA Unit, options include PTFE, Spiral wound
- Lz Lengths for Standard Floats (S.G.)

0.66 to 0.74 : 345mm	0.72 to 0.83 : 290mm
0.83 to 0.94 : 240mm	0.92 to 1.07 : 205mm

Pressure Rating : 1600 kPa, hydro tested (cert included) to 2000 kPa.
 Temperature rating : 100 Deg C as standard with options up to 300 Deg C.

**Sales of ALL products are subject to our General Conditions of Quotation & Supply.
 Technical specifications are subject to change without prior notice.**

ACN No 50 005 613 641
 42 TITAN DRIVE CARRUM DOWNS 3201 VICTORIA AUSTRALIA.
 Phone: 03.9776.8888 Fax: 03 9776.8656
 Email: contact@ambitinst.com.au
www.ambitinst.com.au

REV 1. 06/17



WORLD RECOGNISED
ACCREDITATION

LAB No 3103