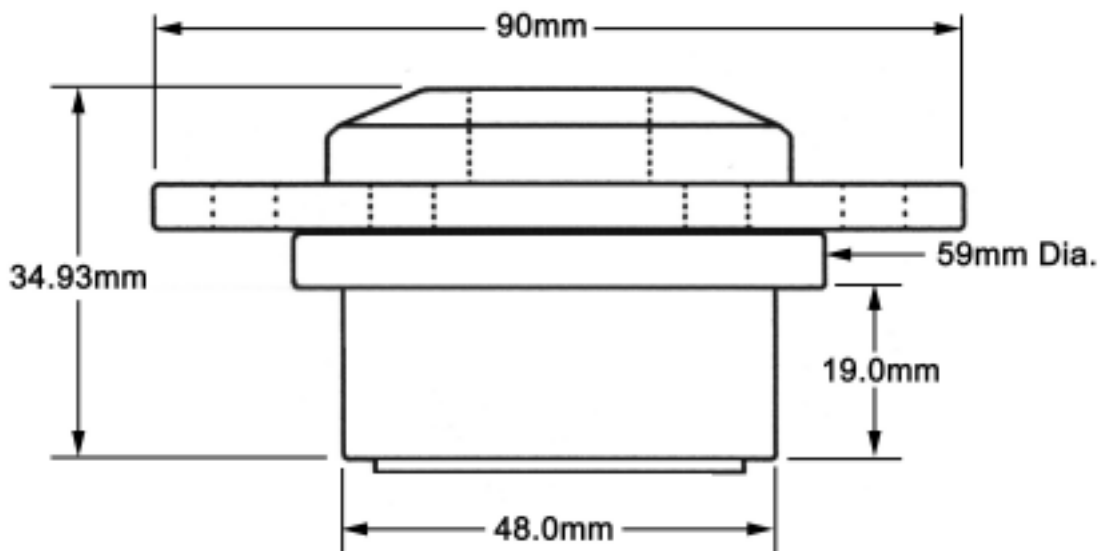


# ADS-PS2040 PAPER SEAL

## Paper Industry Seal - Model ADS-PS2040



### TECHNICAL SPECIFICATIONS

- Material of Construction: 316 Stainless steel
- Diaphragm: 316 Stainless steel welded
- Fitted with filling plug for correct calibration after vacuum evacuation
- Includes loose collar with 6 x 7mm diameter holes on 70.0mm P.C.D.
- All welds integrity tested with helium
- Standard "fill" fluid non-toxic silicon oil, 100CS

Sales of ALL products are subject to our General Conditions of Quotation & Supply.  
Technical specifications are subject to change without prior notice.

### AMBIT INSTRUMENTS PTY LTD

ABN No 50 005 613 641

42 TITAN DRIVE CARRUM DOWNS Vic 3201 AUSTRALIA.

Phone: 03.9776.8888 Fax: 03 9776.8656

Email: [contact@ambitinst.com.au](mailto:contact@ambitinst.com.au)

[www.ambitinst.com.au](http://www.ambitinst.com.au)

