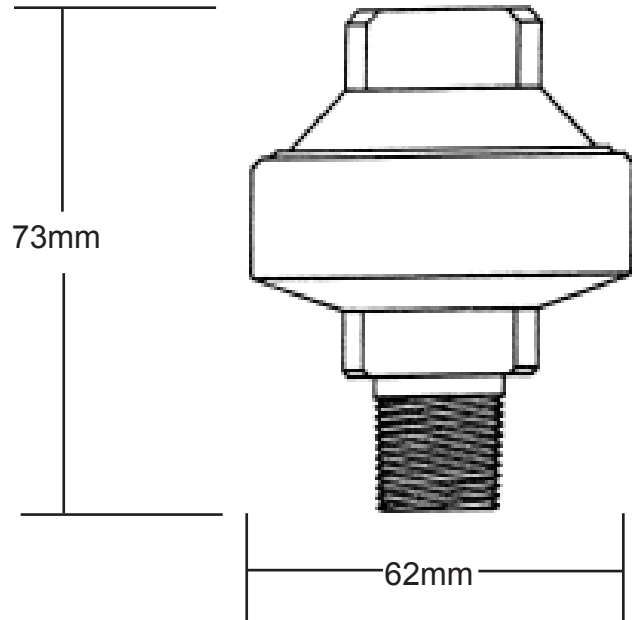
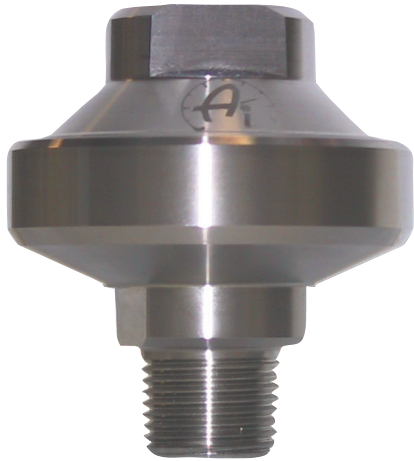


ADS-125 DIAPHRAGM SEAL

Chemical, 2 piece screwed “Clean-Out” type Diaphragm Seal



TECHNICAL SPECIFICATIONS

- Two piece body, screwed housing, 316 stainless steel construction
- Diaphragm - 40mm diameter, 316 stainless steel welded to top chamber
(Note: Splitting the housing does not affect the integrity of the fill)
- Nitrile “O” Ring Seal (standard)
- Nominal Pressure Range: -70 to +60,000 kPa
- General purpose, chemical and petroleum applications
- 3/8”BSPP or 1/2”NPT Instrument Connection
- 3/8”BSPT-M or 1/2”NPT-M Process Connection
- All welds integrity tested with helium
- Standard “fill” fluid non-toxic silicon oil, 100CS
- Options: Other diaphragm and housing material available on request

Sales of ALL products are subject to our General Conditions of Quotation & Supply.
Technical specifications are subject to change without prior notice.

AMBIT INSTRUMENTS PTY LTD

ABN No 50 005 613 641

42 TITAN DRIVE CARRUM DOWNS Vic 3201 AUSTRALIA.

Phone: 03.9776.8888 Fax: 03 9776.8656

Email: contact@ambitinst.com.au

www.ambitinst.com.au

