

AA44 Series

PROCESS / REFINERY PRESSURE GAUGE with 0.5% ACCURACY

The design of this high quality pressure gauge has evolved out of many years of experience in process industries around the world. The result is a super tough, long lasting instrument which is unsurpassed in technical features and trouble free performance.

Case

Thermoplastic PBTP black with Safety Pattern construction

Bezel

Thermoplastic PBTP black

Mounting

Direct bottom surface mount in the 1 model

Window

Laminated safety glass

Dial

4.5" Aluminium

Pointer

Micro adjustable and balanced

Measuring Element*

AISI 316 Stainless steel (fully welded joints)

Movement

Stainless steel heavy duty

Socket (Connection)*

AISI 316 Stainless steel, 1/2"NPT direct bottom or surface mount

Accuracy

0.5% F.S.D. as ANSI SPEC B40-1 GRADE AA

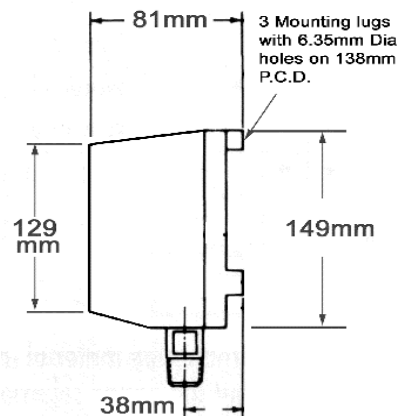
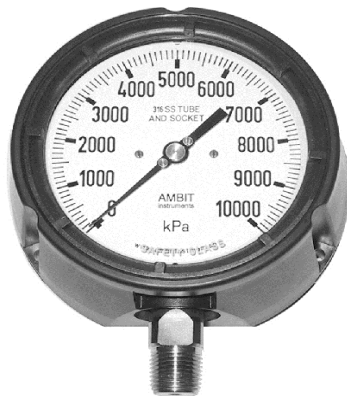
Temperature Range

From -20 to +100 Degres Celsius

IP Rating

Up to IP65

* Gauges with Monel Wetted components also available.



STANDARD kPa SCALE RANGES and ORDERING CODES

Range	Order Code	Range	Order Code	Range	Order Code
-100/0/60	42	0-160	70	0-6000	80
-100/0/150	43	0-250	72	0-10,000	81
-100/0/300	44	0-400	73	0-16,000	82
-100/0/500	45	0-600	74	0-25,000	84
-100/0/900	46	0-800	98	0-40,000	86
-100/0/1500	47	0-1000	75	0-60,000	87
-100/0	16	0-1600	76	0-100,000	88
0-60	67	0-2500	78		
0-100	69	0-4000	79		

NON-STANDARD SCALES AND OTHER UNIT DESIGNATIONS ARE AVAILABLE ON REQUEST

To Order: Dry Gauge Model AA44 and range code
 Filled Gauge Model AY44 and range code

WARNING: Do not use glycerine filled gauges in any service which may include strong oxidising agents including (but not limited to) Chlorine, Nitric Acid, Hydrogen Peroxide. Such combinations can result in an explosion

Sales of ALL products are subject to our General Conditions of Quotation & Supply.
 Technical specifications are subject to change without prior notice.

AMBIT INSTRUMENTS PTY LTD

ABN 50 005 613 641

42 TITAN DRIVE CARRUM DOWNS VIC 3201 AUSTRALIA

PHONE 03 9776 8888 FAX 03 9776 8656

EMAIL contact@ambitinst.com.au

www.ambitinst.com.au

REV 1. 02/17

NATA ENDORSED
 CALIBRATION
 CERTIFICATES AVAILABLE



LAB No 3103

