

200 Series

SCHAFFER DIAPHRAGM GAUGES

A Heavy Duty Stainless Steel Diaphragm gauge for use on many applications.

Case

304 Stainless steel

Bezel

304 Stainless steel

Window

Standard sheet glass, safety glass, perspex or polycarbonate

Dial

Aluminium

Pointer

Adjustable aluminium with black finish

Movement

304 Stainless steel

Top Chamber

316 Stainless steel

Bottom Chamber

316 Stainless steel or PVC and PTFE available

Diaphragm

316 Stainless Steel up to 0/250kPa

Spring steel PTFE coated 0/400 to 0/2500kPa

Teflon or Halar coated option available.

Connection

1/2"BSPP or 1/2"NPT - Bore 10mm

Dial Size

100mm & 160mm

Accuracy

1.6% F.S.

Overload

1.3 x range



STANDARD MODELS

Model No.	Dial Size	Ranges	Chamber Size
202	100mm	0/2.5 to 0/40 kPa	152mm
204	100mm	0/60 to 0/2500 kPa	100mm
206	160mm	0/2.5 to 0/40 kPa	152mm
208	160mm	0/60 to 0/2500 kPa	100mm

CHLORINE SERVICE

Diaphragm: Silver plated or PTFE coated

Bottom Chamber: Nickel plated mild steel

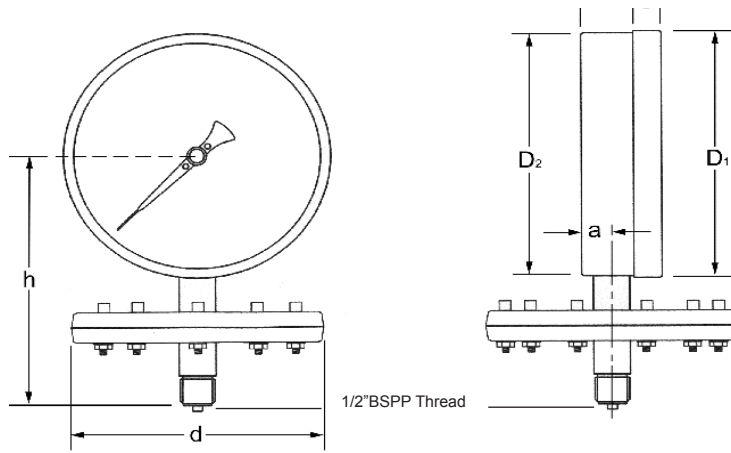
Model No.	Dial Size	Ranges	Chamber Size
250	100mm	0/2.5 top 0/40 kPa	152mm
251	100mm	0/60 to 0/2500 kPa	100mm
252	160mm	0/2.5 to 0/40 kPa	152mm
253	160mm	0/60 to 0/2500 kPa	100mm

STANDARD RANGES

Range kPa	Order Code	Range kPa	Order Code	Range kPa	Order Code
-2.5/0	60V	0/2.5	60	0/100	69
-4/0	61V	0/4	61	0/160	70
-6/0	62V	0/6	62	0/250	72
-10/0	63V	0/10	63	0/400	73
-16/0	64V	0/16	64	0/600	74
-25/0	65V	0/25	65	0/1000	75
-40/0	66V	0/40	66	0/1600	76
-100/0	16	0/60	67	0/2500	78

Order Information: Model No - Range Code - Thread Type - Options if required
eg. 204-72, 1/2"NPT, PVC bottom chamber

DIMENSIONS: Standard Version

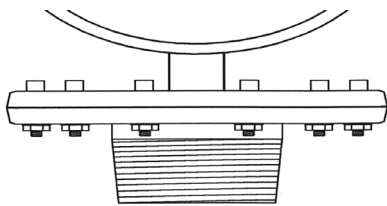


DIMENSIONS

Model Number	Dial Size	Dimensions (mm)							Weight (kg)
		d	a	b	D1	D2	e	h	
202	100mm	152	16	48.5	112	98	17.5	118	3.0
204	100mm	100	16	48.5	112	98	17.5	118	1.8
206	160mm	152	16	49.5	161	157	17.5	146	3.3
208	160mm	100	16	49.5	161	157	17.5	146	2.1

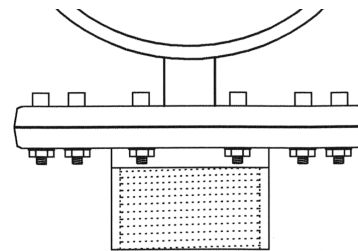
COMMON OPTIONAL PROCESS CONNECTIONS

Male Threads



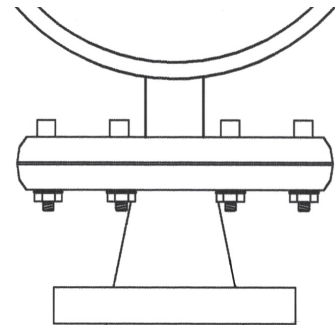
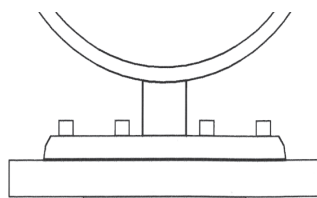
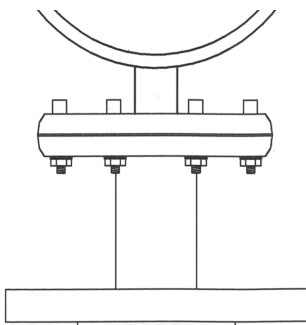
100mm Chamber: Up to 2" BSP or NPT
152mm Chamber: Up to 4" BSP or NPT

Female Threads



100mm Chamber: Up to 1.5" BSP or NPT
152mm Chamber: Up to 3" BSP or NPT

Flanged



All flange "types" ANSI, Table etc.
Wide selection of sizes 1/2", 3/4", 1" & larger as required.
"Style" used dependent on pressure range (chamber size) & customer requirements.

AMBIT INSTRUMENTS PTY LTD

ACN No 51 005 613 641
42 TITAN DRIVE CARRUM DOWNS 3201 VICTORIA AUSTRALIA.
Phone: 03.9776.8888 Fax: 03 9776.8656
Email: contact@ambitinst.com.au
www.ambitinst.com.au

