

1060 Series

LOW PRESSURE CAPSULE GAUGES

A Heavy Duty low pressure gauge designed for rugged applications throughout general industry, with stainless steel or brass connection.

Case

AISI 304 Stainless steel weatherproof construction

Bezel

AISI 304 Stainless steel

Window

Sheet Glass

Dial

Aluminium

Pointer

Aluminium with black finish

Capsule Element

316 Stainless steel or Beryllium copper

Movement

Brass

Socket (connection)

316 SS or Brass

Accuracy

1.25% (Full scale)

Dial Sizes (mm)

63, 100, 150. (Also 250 by request)

Pressure Ranges

0-1kPa to 0-40kPa

Overrange

130%. Higher on request.



Model 1062

ORDERING CODES FOR STANDARD CONFIGURATIONS

1062 - 100 - 61 - 6P

Model/Mounting:

	Stainless	Brass
Surface back flange	1161	1061
Direct bottom connection	1162	1062
Panel via front flange	1163	1063
Panel via clamp fixing	1164	1064
Direct lower rear connection	1165	1065

Dial Size in mm:

063
100
150

Range:

See range codes below

Connections & Dial Sizes:

1/8" Connection, 63mm Dial
2N = NPT, 2P = BSPP, 2T = BSPT

1/4" Connection, 63, 100, 150mm Dial
4N = NPT, 4P = BSPP, 4T = BSPT

3/8" Connection, 100, 150mm Dial
6N = NPT, 6P = BSPP, 6T = BSPT

1/2" Connection, 100, 150mm Dial
8N = NPT, 8P = BSPP, 8T = BSPT

STANDARD kPa SCALE RANGES and ORDERING CODES

Range	Order Code	Range	Order Code
-1.0 to 0 kPa	58V *	0/1.0 kPa	58 *
-1.6 to 0 kPa	59V *	0/1.6 kPa	59 *
-2.5 to 0 kPa	60V	0/2.5 kPa	60
-4.0 to 0 kPa	61V	0/4.0 kPa	61
-6.0 to 0 kPa	62V	0/6.0 kPa	62
-10 to 0 kPa	63V	0/10 kPa	63
-16 to 0 kPa	64V	0/16 kPa	64
-25 to 0 kPa	65V	0/25 kPa	65
-40 to 0 kPa	66V	0/40 kPa	66

COMPOUND RANGES / NON-STANDARD SCALES AND OTHER UNIT DESIGNATIONS ARE AVAILABLE ON REQUEST
* NOT AVAILABLE IN MODEL 1064/1164

COMMON AVAILABLE OPTIONS

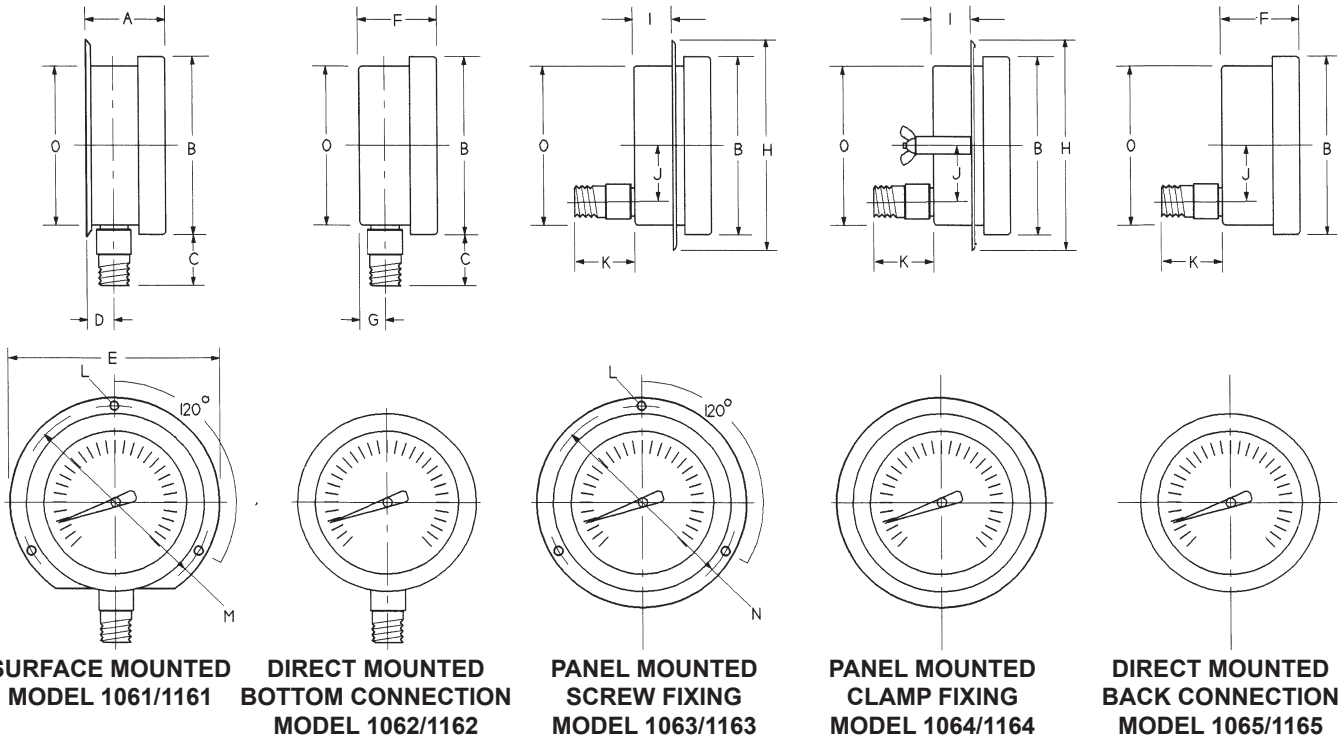
Window
Special Scales

Laminated Safety Glass, Perspex, Polycarbonate
psi, bar, kg/cm², Tons etc. Dual Scale, Fineline, Colour Sectors/ lines,
mbar and pascals

Restrictors
Case/Bezel
Certification

0.4 and 0.9mm bore
316 Stainless steel safety pattern configuration
N.A.T.A. or Ambit In-House

DIMENSIONS



10 to 25 mbar Lower / Back Connection (shown)
25 to 400 mbar Centre / Back Connection (standard)

Metric mm	A	B	C			D	E	F	G	H	I	J	K			L	M	N	Panel Cut Out
			1/4"	3/8"	1/2"								1/4"	3/8"	1/2"				
63	39	68.5	25			11.5	78.5	31	9.5	85	21.5	18	27			3.5	75	62	66
100	50.5	112		27	32	17	121	48.5	15	132	24.5	32	30	33	37	6.0	118	99	106
150	50.5	162		31	36	17	174	48.5	15	185	24.5	32	30	33	37	5.8	168	148	153

Sales of ALL products are subject to our General Conditions of Quotation & Supply.
Technical specifications are subject to change without prior notice.

AMBIT INSTRUMENTS PTY LTD

ACN No 005 613 641

42 TITAN DRIVE CARRUM DOWNS 3201 VICTORIA AUSTRALIA.

Phone: 03.9776.8888 Fax: 03 9776.8656

Email: contact@ambitinst.com.au

www.ambitinst.com.au

REV 1. 12/16

NATA ENDORSED CALIBRATION
CERTIFICATES AVAILABLE



WORLD RECOGNISED
ACCREDITATION

LAB No 3103

