

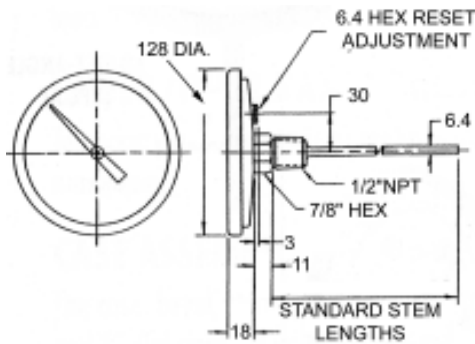
# AMBIT Instruments Bimetal Thermometers

## Rigid Type in 3" & 5" Dial Sizes

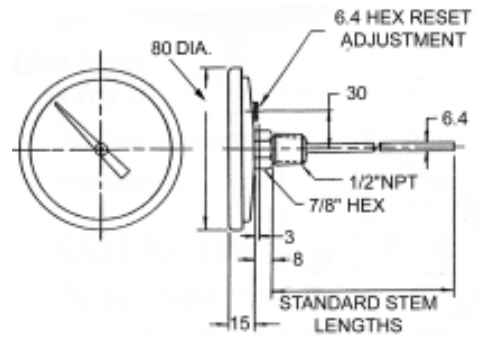
### Standard Features

- All stainless steel construction
- External recalibration adjustment
- White dial with black markings
- Accurate to +/- 1% of scale range
- Gasketed glass face
- Case is sealed to exclude dirt, dust & moisture

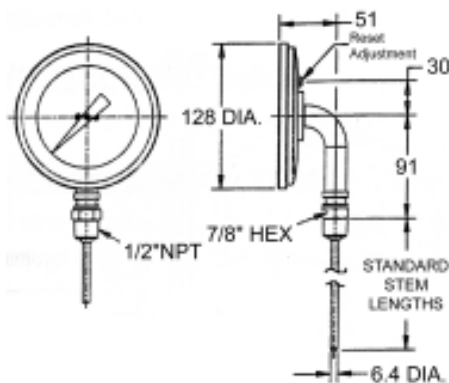
### Back Angle Form Type 5A



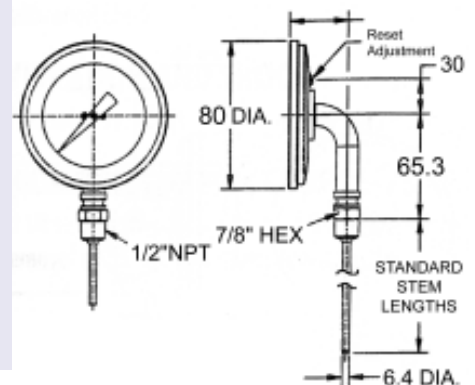
### Back Angle Form Type 3A



### Straight Form Type 5S



### Straight Form Type 3S



ORDER CODE				
	5" (127mm) DIAL		3" (76mm) DIAL	
Stem Length	90° Back Angle Form	Straight Form	90° Back Angle Form	Straight Form
22"	5A02	5S02	3A02	3S02
4"	5A04	5S04	3A04	3S04
6"	5A06	5S06	3A06	3S06
9"	5A09	5S09	3A09	3S09
12"	5A12	5S12	3A12	3S12
15"	5A15	5S15	3A15	3S15
18"	5A18	5S18	3A18	3S18
24"	5A24	5S24	3A24	3S24

Sample Order Code: 5A24-10 (10 denotes range of -10/110°C)

	SINGLE SCALE		DUAL SCALE	
RANGE CODE	CELSIUS (Fahrenheit also available)	RANGE CODE	Fahrenheit (on outside)	Celsius (on inside)
03	-50 to 50 °C	35	-40/120 °F	-40/50 °C
15	0 to 100 °C	36	-40/160 °F	-40/70 °C
10	-10 to 110 °C	37	30/130 °F	0/55 °C <sup>1</sup>
12	0 to 50 °C <sup>1</sup>	38	0/200 °F	-20/90 °C
18	0 to 150 °C	39	0/250 °F	-20/120 °C
21	0 to 200 °C	40	50/300 °F	10/150 °C
23	0 to 300 °C	41	50/400 °F	10/200 °C
28	50 to 450 °C <sup>+</sup>	42	50/550 °F	10/290 °C
34	100 to 500 °C <sup>+</sup>	43	100/800 °F	40/450 °C <sup>+</sup>
		44	200/1000 °F	100/550 °C <sup>+</sup>

\*Not recommended for continuous service above 425 deg C

† Minimum stem lengths for these ranges 4"

<sup>1</sup> Minimum stem length for lower connection & every angle is 4"

**AMBIT INSTRUMENTS PTY LTD** ABN 50 005 613 641

**Head Office:** 42 Titan Drive Carrum Downs Vic. 3201 Phone: 03 9776.8888 Fax: 03 9776.8656 email: [contact@ambitinst.com.au](mailto:contact@ambitinst.com.au)

**Sydney Office:** 29/2 O'Connell St, Parramatta NSW 2150 Phone 02 98911222 Fax: 02 98911260 email: [nswsales@ambitinst.com.au](mailto:nswsales@ambitinst.com.au)

**Website:** [www.ambitinst.com.au](http://www.ambitinst.com.au)