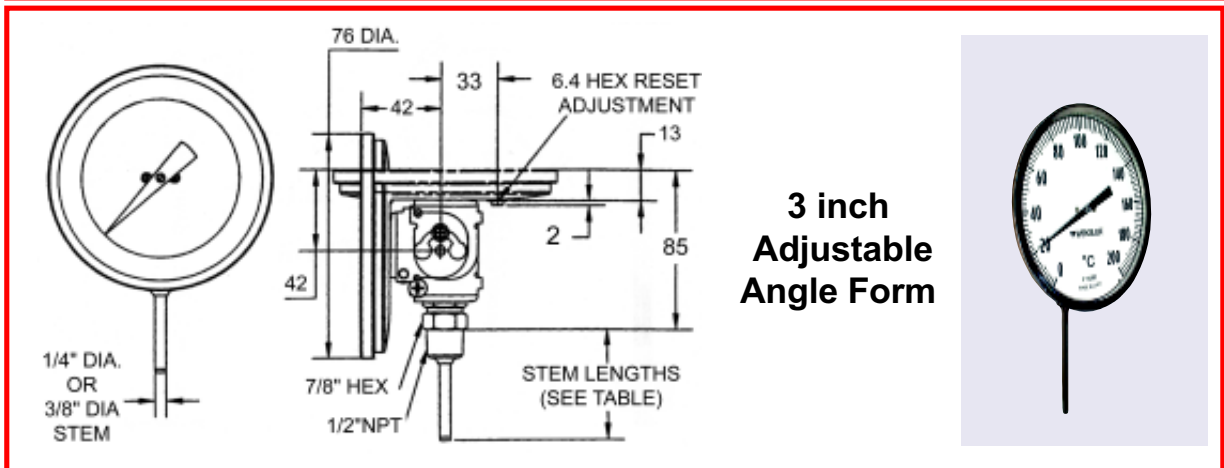
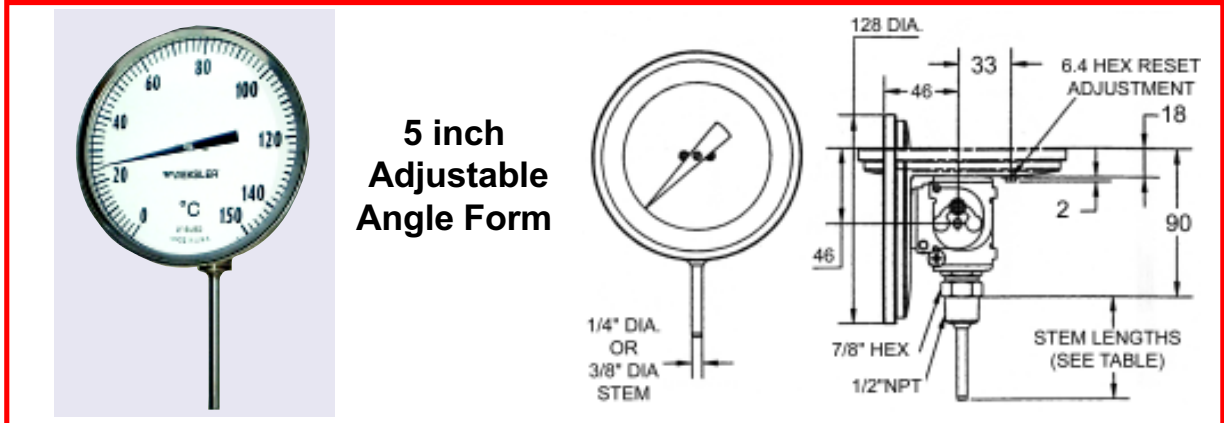


AMBIT Instruments Bimetal Thermometers Adjustable Angle Type in 3" & 5" Dial Sizes

The adjustable angle frame permits positioning of the dial to suit viewing needs.

Standard Features

- All stainless steel construction
- External recalibration adjustment
- White dial with black markings
- Accurate to +/- 1% of scale range
- Gasketed glass face
- Case is sealed to exclude dirt, dust & moisture



ORDER CODE				
Stem Length	5" (127mm) DIAL		3" (76mm) DIAL	
	Fixed Thread	Union Connection	Fixed Thread	Union Connection
22"	AF02	AU02	CF02	CU02
4"	AF04	AU04	CF04	CU04
6"	AF06	AU06	CF06	CU06
9"	AF09	AU09	CF09	CU09
12"	AF12	AU12	CF12	CU12
15"	AF15	AU15	CF15	CU15
18"	AF18	AU18	CF18	CU18
24"	AF24	AU24	CF24	CU24

Sample Order Code: AF24-10 (10 denotes range of -10/110°C)

RANGE CODE	SINGLE SCALE	RANGE CODE	DUAL SCALE	
	CELSIUS (Fahrenheit also available)		Fahrenheit (on outside)	Celsius (on inside)
03	-50 to 50 °C	35	-40/120 °F	-40/50 °C
15	0 to 100 °C	36	-40/160 °F	-40/70 °C
10	-10 to 110 °C	37	30/130 °F	0/55 °C ¹
12	0 to 50 °C ¹	38	0/200 °F	-20/90 °C
18	0 to 150 °C	39	0/250 °F	-20/120 °C
21	0 to 200 °C	40	50/300 °F	10/150 °C
23	0 to 300 °C	41	50/400 °F	10/200 °C
28	50 to 450 °C ⁺	42	50/550 °F	10/290 °C
34	100 to 500 °C ⁺	43	100/800 °F	40/450 °C ⁺
		44	200/1000 °F	100/550 °C ⁺

*Not recommended for continuous service above 425 deg C

† Minimum stem lengths for these ranges 4"

¹ Minimum stem length for lower connection & every angle is 4"

AMBIT INSTRUMENTS PTY LTD ABN 50 005 613 641

Head Office: 42 Titan Drive Carrum Downs Vic. 3201 Aust Phone: 03 9776.8888 Fax: 03 9776.8656 email: contact@ambitinst.com.au

Sydney Office: 29/2 O'Connell St, Parramatta NSW 2150 Phone 02 98911222 Fax: 02 98911260 email: nswsales@ambitinst.com.au

Website: www.ambitinst.com.au