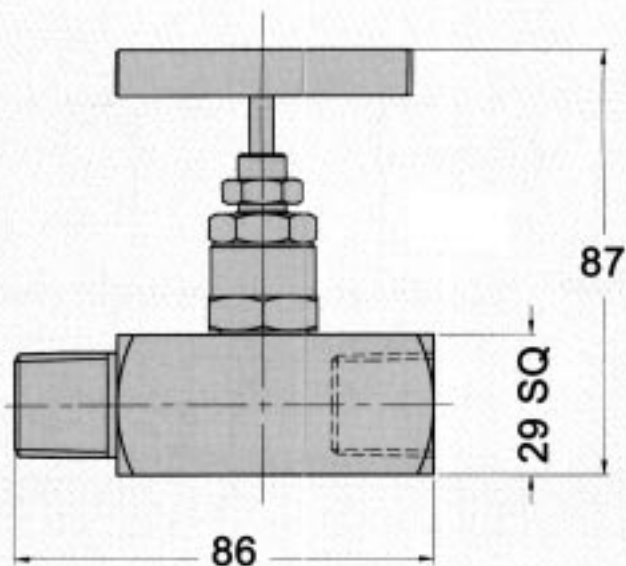


MODEL A1

In Line Needle Valve.
Rated 6000 PSI



Male/Female



Female/Female

