

# STANDARD kPa SCALE RANGES and ORDERING CODES

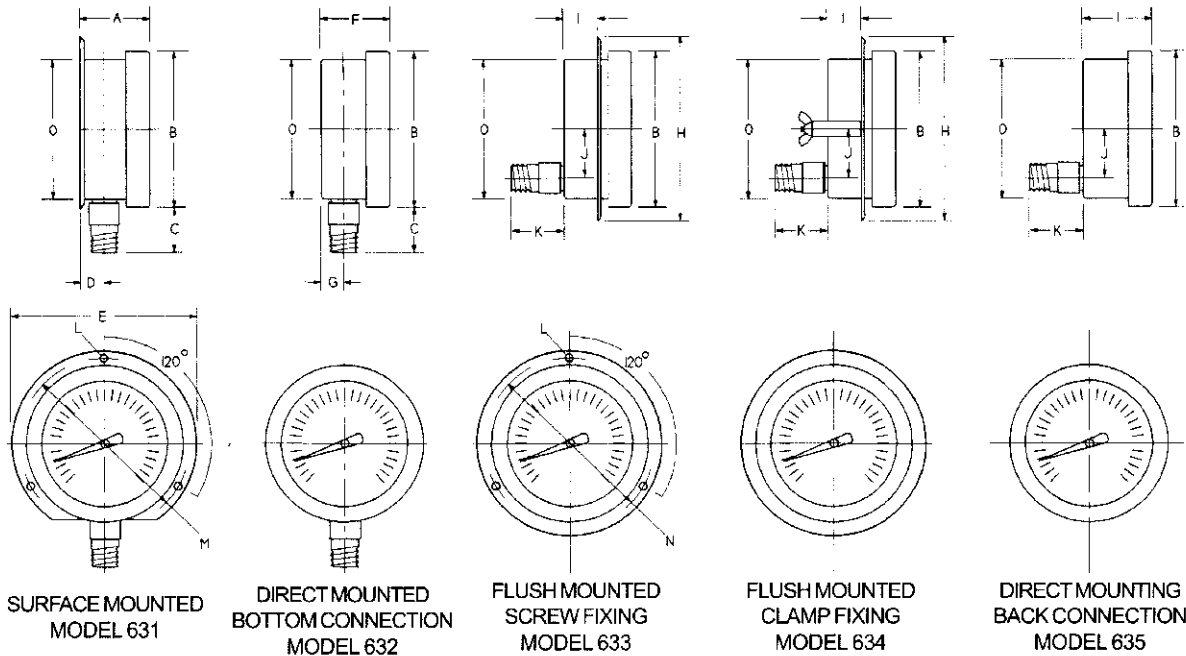
Range	Order Code	Range	Order Code	Range	Order Code
-100/0/60	42	-100 - 0	16	0 - 2500	78
-100/0/150	43	0 - 60	67	0 - 4000	79
-100/0/300	44	0 - 100	69	0 - 6000	80
-100/0/500	45	0 - 160	70	0 - 10,000	81
-100/0/900	46	0 - 250	72	0 - 16,000	82
-100/0/1600	47	0 - 400	73	0 - 25,000	84
		0 - 600	74	0 - 40,000	86
		0 - 800	98	0 - 60,000	87
		0 - 1000	75	0 - 100,000	88
		0 - 1600	76	SPECIAL	90

NON-STANDARD SCALES AND OTHER UNIT DESIGNATIONS ARE AVAILABLE ON REQUEST

APPROXIMATE  
WEIGHT IN GRAMS  
(INCL. CARTON)

MODEL		631	632	633	634	635
63mm	DRY	265	195	265	310	260
	FILLED	355	285	355	400	350
100mm	DRY	675	600	700	765	650
	FILLED	965	890	990	1055	940
150mm	DRY	1255	1080	1025	1025	1000
	FILLED	1960	1785	1730	1730	1705

## DIMENSIONS



Metric	A	B	C				D	E	F	G	H	I	J	K				L	M	N	O	Panel Cut out
			1/8"	1/4"	3/8"	1/2"								1/8"	1/4"	3/8"	1/2"					
63	34.5	69	17	21			12.5	85	31.5	9.5	85	22	18	23	27			3.5	75	75	62	70
100	50.5	112	21	25	28	32	17	132	48.5	15	132	24	32	26	30	33	37	4.5	115	116	99	106
150	52	163	25	29	32	36	19	185	48	17	185	24.5	32	26	30	33	37	5.8	168	168	148	153

Sales of ALL products are subject to our General Conditions of Quotation & Supply.  
Technical specifications are subject to change without prior notice.

## AMBIT INSTRUMENTS PTY LTD

ACN No 005 613 641

HEAD OFFICE & FACTORY: 42 TITAN DRIVE CARRUM DOWNS Vic 3201 AUSTRALIA.

Phone: 03.9776.8888 Fax: 03.9776.8656

Email: [ambit@onthe.net.au](mailto:ambit@onthe.net.au)

FRECALL 1800 101 102

SYDNEY OFFICE: Suite 29, 2 O'Connell Street PARRAMATTA N.S.W. 2150

Phone: (02) 9891.1222 Fax: (02) 9891.1260

