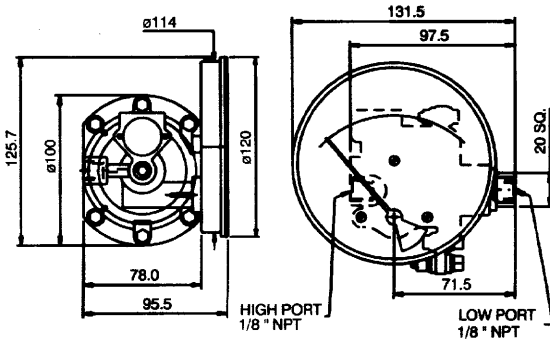
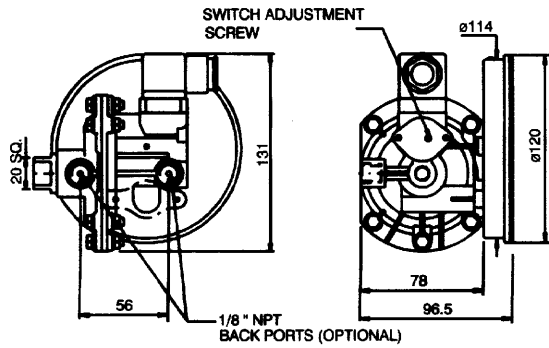


STANDARD DIMENSIONS

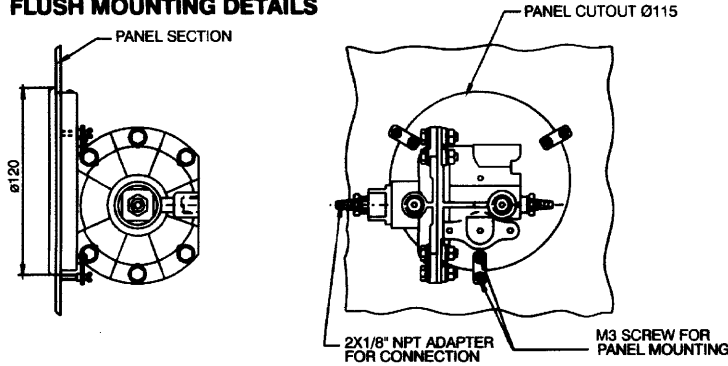


GAUGE + SWITCH WITH REED CONTACTS WITH A DIN PLUG

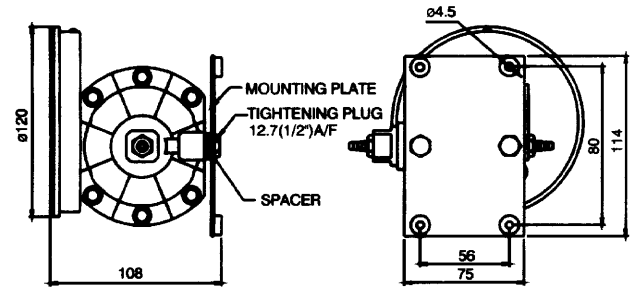


This instrument with its off-center profile can still be easily inserted in a 115 mm panel cutout.

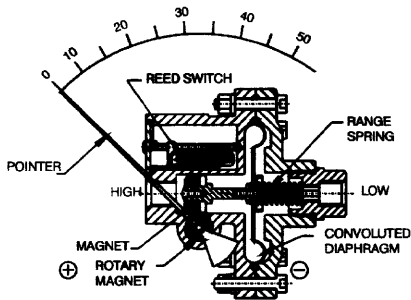
FLUSH MOUNTING DETAILS



SURFACE MOUNTING DETAILS



OPERATING PRINCIPLE :



High and Low pressures are separated by a sensor assembly consisting of a magnet, diaphragm and a range spring. The difference in pressure causes the assembly to move in proportion to the change against the range spring.

A rotary magnet, located in a separate body compartment and isolated from the acting pressures, is rotated by magnetic coupling as per the linear movement of the sensor assembly. A pointer attached to the rotary magnet indicates differential pressure on the dial.

APPLICATIONS :

- Monitor air-handling units.
- Measurement of fan & blower pressure.
- Monitor condition of the filter on laminar flow devices.
- Pressure drop across filters.
- Pressure drops across orifice plate for flow determination.
- Level measurement.
- Spinning machines.

Points to cover in your enquiry.

- Operating pressure.
- Operating temperature.
- Porting.
- Mounting.
- Application in brief.
- Customer logo.

STANDARD ACCESSORIES :

1. Two brass adaptors for tube connection to in-line or back ports.
2. Flush mounting kit.
3. Two plugs for sealing the port holes (in-line or back) when not in use.

SPECIFICATIONS :

- Body materials : Engineering polymer.
- Protection : IP 65 gauge & switch.
- Working pressure : 35 psi / 2.4 bar.
- Working temp. : 60°C / 140°F Max.
- Differential range : 15 mm to 1000mmWc
- Seals : Buna-N, Silicone.
- Porting : In-line or back (user to select).
- Dial size : 112mm.
- Connections : 1/8" NPT (F).
- Switch : Up to 2 independently adjustable, factory set SPSTs or 1 SPDT reed switch.
- Weight : 400gms (approx.)
- Accuracy : +/- 3% of FSR (Ascending).
- First marking : At 15% of the FSR.

OPTIONS :

1. Colour band/zone.
2. Customer logo.
3. Dual scale.
4. Units other than mm/Inch of water.

STANDARD MODELS :

Sr. no.	Ordering code.	Range	Least count
1	Magnetic 600 G 0 - 15mmw	0 - 15mm of water	0.5 mm water
2	Magnetic 600 G 0 - 25mmw	0 - 25mm of water	1.0 mm water
3	Magnetic 600 G 0 - 50mmw	0 - 50mm of water	2.0 mm water
4	Magnetic 600 G 0 - 100mmw	0 - 100mm of water	5.0 mm water
5	Magnetic 600 G 0 - 150mmw	0 - 150mm of water	5.0 mm water
6	Magnetic 600 G 0 - 250mmw	0 - 250mm of water	10.0 mm water

Other ranges, units and options are manufactured on request.

Specifications are subject to change without prior notice and any obligation on the part of the manufacturer.



Ambit Instruments Pty Ltd.
42, Titan Drive, Carrum Downs
Victoria 3201, Australia
Phone : +61 3 9776 8888
Fax : +61 3 9776 8656
Email : contact@ambitinst.com.au
Website : www.ambitinst.com.au