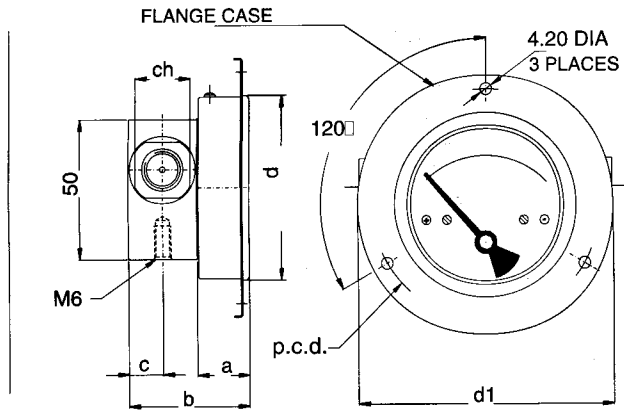
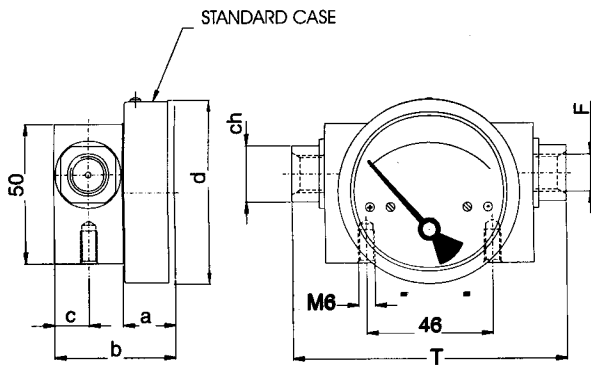


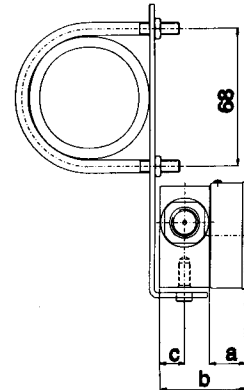
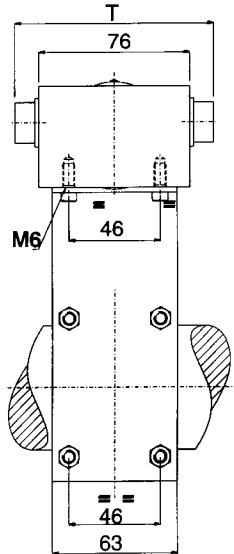
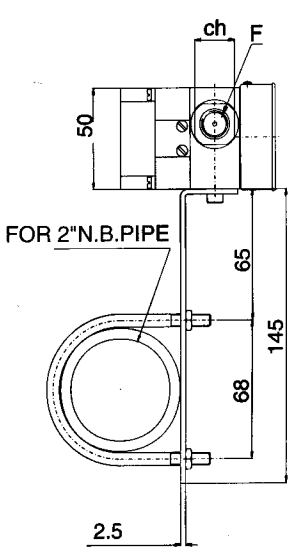
# STANDARD DIMENSIONS FOR MODEL 200 DPG



DIAL Ø	F	a	b	c	d	d1	T	ch	p.c.d.
50 (2")	1/4"BSP - 1/4"NPT	18	43	12.5	53	79	100	20	69
63 (2.5")	1/4"BSP - 1/4"NPT	19	44	12.5	66	93	100	20	83
80 (3")	1/4"BSP - 1/4"NPT	19	44	12.5	83	109	100	20	99
100 (4")	1/4"BSP - 1/4"NPT	19	44	12.5	104.3	131	100	20	121
115 (4.5")	1/4"BSP - 1/4"NPT	19	44	12.5	119.7	146	100	20	136
150 (6")	1/4"BSP - 1/4"NPT	19	44	12.5	154.3	181	100	20	171

\* PANEL CUT OUT = d + 1

## MOUNTING BRACKETS FOR MODEL 200 DPG



BRACKET MOUNTING FOR GAUGE+ SWITCH

BRACKET MOUNTING FOR GAUGE

DIAL Ø	F	a	b	c	T	ch
50 (2")	1/4"BSP - 1/4"NPT	18	43	12.5	100	20
63 (2.5")	1/4"BSP - 1/4"NPT	19	44	12.5	100	20
80 (3")	1/4"BSP - 1/4"NPT	19	44	12.5	100	20
100 (4")	1/4"BSP - 1/4"NPT	19	44	12.5	100	20
115 (4.5")	1/4"BSP - 1/4"NPT	19	44	12.5	100	20
150 (6")	1/4"BSP - 1/4"NPT	19	44	12.5	100	20