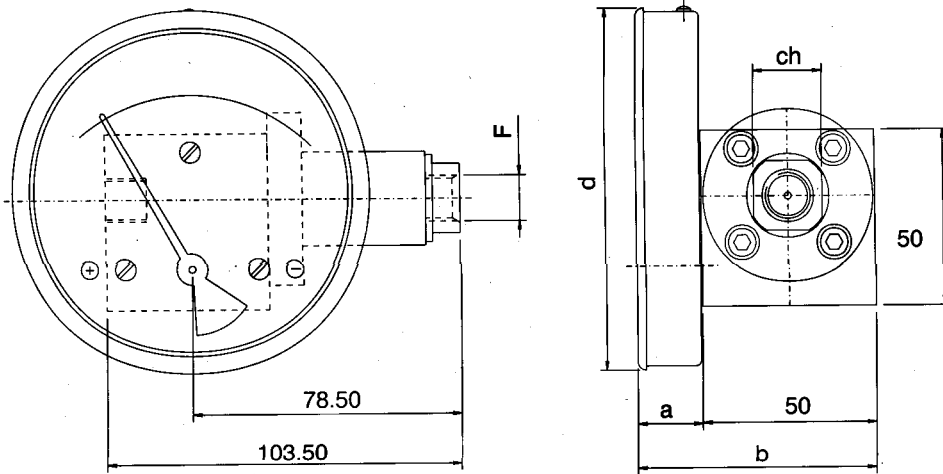
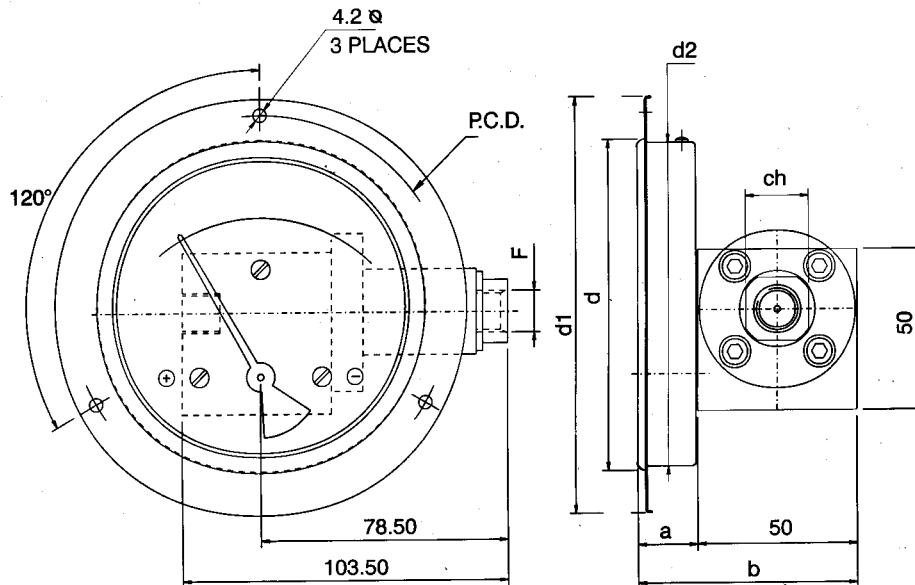


# STANDARD DIMENSIONS FOR MODEL 200 DGR (In-line porting)



DIAL Ø	F	a	b	d	ch
63 (2.5")	1/4"BSP - 1/4"NPT	19	69	66	20
80 (3.5")	1/4"BSP - 1/4"NPT	19	69	83	20
100 (4")	1/4"BSP - 1/4"NPT	19	69	104.3	20
115 (4.5")	1/4"BSP - 1/4"NPT	19	69	119.7	20
150 (6")	1/4"BSP - 1/4"NPT	19	69	154.3	20



DIAL Ø	F	a	b	d1	d2	ch	p.c.d.	d *
63 (2.5")	1/4"BSP - 1/4"NPT	19	69	93	65	20	83	66
80 (3.5")	1/4"BSP - 1/4"NPT	19	69	109	82	20	99	83
100 (4")	1/4"BSP - 1/4"NPT	19	69	131	102	20	121	104.3
115 (4.5")	1/4"BSP - 1/4"NPT	19	69	146	117	20	136	119.7
150 (6")	1/4"BSP - 1/4"NPT	19	69	181	152.5	20	171	154.3

\* PANEL CUT OUT = d + 1 mm.