

**Limit value switches in a modular system
oiltight, with integrated cable box**
Low-action and snap-action contact
double

DN

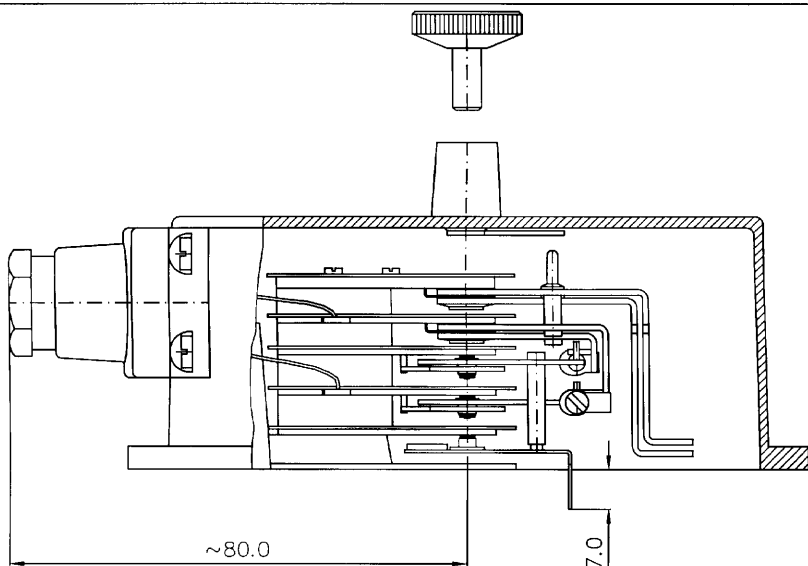
4½"

Type code

Type S-
Low-action contact
without magnet holder

Type Kombi S-
Low-action contact
with magnet holder

Type Kombi M-
Snap-action contact
with screwed-in magnets



Dimensions re. page K 13-30.034

Available switching functions 11
pointer moving clockwise 12

Make-contact	1	21
Break-contact	2	22

Required order information

Nominal size	DN 4½"
Type	re. type code
Set pointer	TZ (contact fixed in the hood)
Execution	modular system oiltight with integrated cable box
Connection	screw terminal (brass nickel-plated)
Hair spring (re. page K 14-20.010)	normal light strong
Contact material (re. page K 02-00.030)	silver nickel silver palladium silver palladium, gold-plated gold silver platinum iridium
Hood diameter	Art. No.: (re. schedule)

∅	Rim	Art. No.
118.5	4 mm	107571

Special executions available on request

Additional information

	Page
Description / technical data	
General (modular system oiltight) _____	K 07-00.010
Low-action contacts _____	K 02-00.010
Snap-action contacts _____	K 02-00.020
Load table _____	K 14-10.010
Terminal configuration _____	K 07-00.035
Fitting, adjusting _____	K 14-10.040
Limit value switches immersed in oil _____	K 14-20.020

Recommended amplifier

MSR 020

MSR 011 (Interval switching amplifier)
(for S-21 or M-21 only)

(re. catalogue group K 11)

Accessories _____ **K 13**