

# Limit value switches in a modular system

**oiltight, with plug connection**  
**Low-action and snap-action contact**  
**single**

**DN**

**4½"**

## Type code

### Type

Low-action contact  
without magnet holder

**S-**

### Type

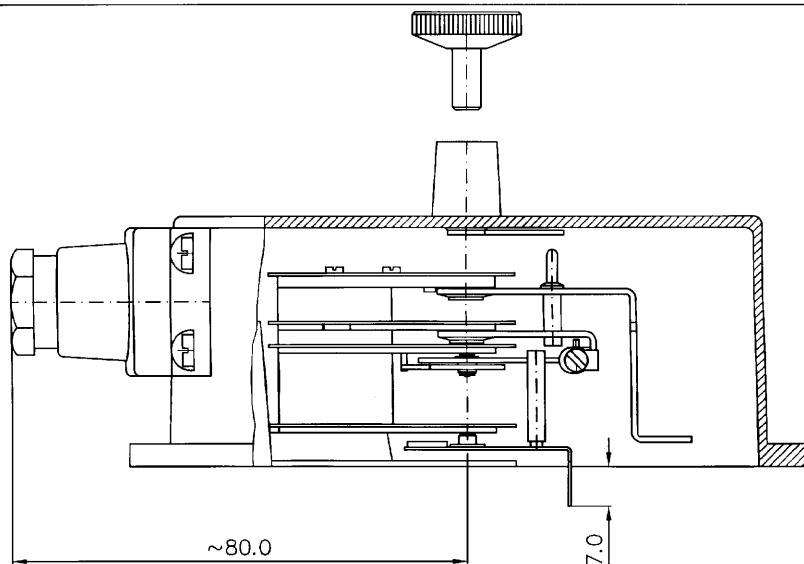
Low-action contact  
with magnet holder

**Kombi S-**

### Type

Snap-action contact  
with screwed-in magnets

**Kombi M-**



Dimensions re. page K 13-30.034

## Available switching functions

pointer moving clockwise

**1**

**2**

Make-contact	<b>1</b>
Break-contact	<b>2</b>

## Required order information

Nominal size	DN 4½"						
Type	re. type code						
Set pointer	TZ (contact fixed in the hood)						
Execution	modular system oiltight with integrated cable box						
Connection	screw terminal (brass nickel-plated)						
Hair spring (re. page K 14-20.010)	normal light strong						
Contact material (re. page K 02-00.030)	silver nickel silver palladium silver palladium, gold-plated gold silver platinum iridium						
Hood diameter	Art. No.: (re. schedule)						
	<table border="1"> <thead> <tr> <th>∅</th> <th>Rim</th> <th>Art. No.</th> </tr> </thead> <tbody> <tr> <td>118.5</td> <td>4 mm</td> <td>107571</td> </tr> </tbody> </table>	∅	Rim	Art. No.	118.5	4 mm	107571
∅	Rim	Art. No.					
118.5	4 mm	107571					

Special executions available on request

## Recommended amplifiers

**MSR 010**

(re. catalogue group K 11)

## Additional information

Description / technical data

**Page**

General (modular system oiltight)	K 07-00.010
Low-action contacts	K 02-00.010
Snap-action contacts	K 02-00.020
Load table	K 14-10.010
Terminal configuration	K 07-00.035
Fitting, adjusting	K 14-10.040
Limit value switches immersed in oil	K 14-20.020

**K-group**  
 Accessories \_\_\_\_\_ K 13