

Limit value switches

Low-action and snap-action contacts
double

from AMBIT Instruments Pty Ltd

DN

63

Typ code

Type

Low-action contact
without magnet holder

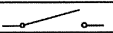
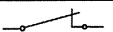
S-

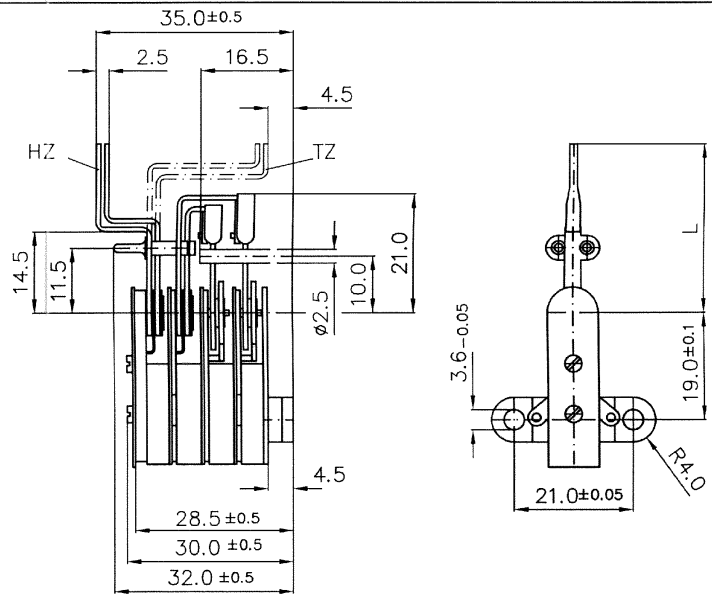
Type

Snap-action contact
with firmly glued magnets

M-

Available switching functions 11
pointer moving clockwise 12

Make-contact 	1	21
Break-contact 	2	22



Required order information

Nominal size	DN 63
Type	re. type code
Set pointer	HZ (contact fitted below the dial) TZ (contact fitted on the dial)
Pointer length "L"	30 mm for DN 63 35 mm for DN 63-80
Connection (re. page K 14-10.030)	solder terminal (brass nickel-plated)
Hair springs (re. page K 14-20.010)	normal light strong
Contact material (re. page K 02-00.030)	silver nickel silver palladium silver palladium, gold-plated gold silver platinum iridium
Contact base	plastic

Special executions available on request

Additional information

Description / technical data

	Page
Low-action contacts _____	K 02-00.010
Snap-action contacts _____	K 02-00.020
Load table _____	K 14-10.010
Circuit diagrams / self-adhesive labels _____	K 14-10.020
Terminal configuration _____	K 14-10.031
Fitting, adjusting, dial mounting _____	K 14-10.040
Limit value switches immersed in oil _____	K 14-20.020

K-Group

Accessories _____ K 13

Recommended amplifiers

MSR 020

MSR 011 (interval function)
(for S-21 or M-21 only)

(re. catalogue group K 11)