

Limit value switches

Low-action and snap-action contacts
single

from AMBIT Instruments

DN

63

Typ code

Type

Low-action contact
without magnet holder

S-

Type

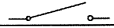

Snap-action contact
with firmly glued magnets

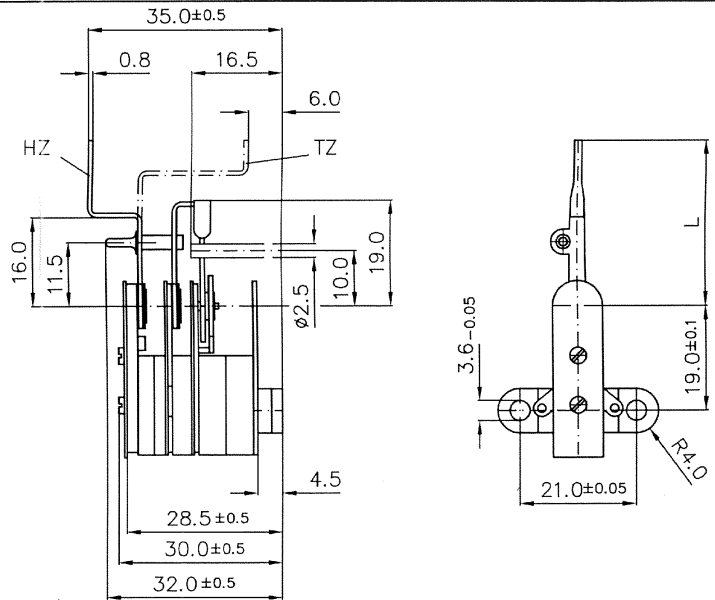
M-

Available switching functions
pointer moving clockwise

1

2

Make-contact		1
Break-contact		2



Required order information

Nominal size	DN 63
Type	re. type code
Set pointer	HZ (contact fitted below the dial) TZ (contact fitted on the dial)
Pointer length "L"	30 mm for DN 63 35 mm for DN 63-80
Connection (re. page K 14-10.030)	solder terminal (brass nickel-plated)
Hair springs (re. page K 14-20.010)	normal light strong
Contact material (re. page K 02-00.030)	silver nickel silver palladium silver palladium, gold-plated gold silver platinum iridium
Contact base	plastic

Special executions available on request

Additional information

Page

Description / technical data

Low-action contacts	K 02-00.010
Snap-action contacts	K 02-00.020
Load table	K 14-10.010
Circuit diagrams / self-adhesive labels	K 14-10.020
Terminal configuration	K 14-10.031
Fitting, adjusting, dial mounting	K 14-10.040
Limit value switches immersed in oil	K 14-20.020

K-Group

Accessories K 13

Recommended amplifiers

MSR 010

(re. catalogue group K 11)