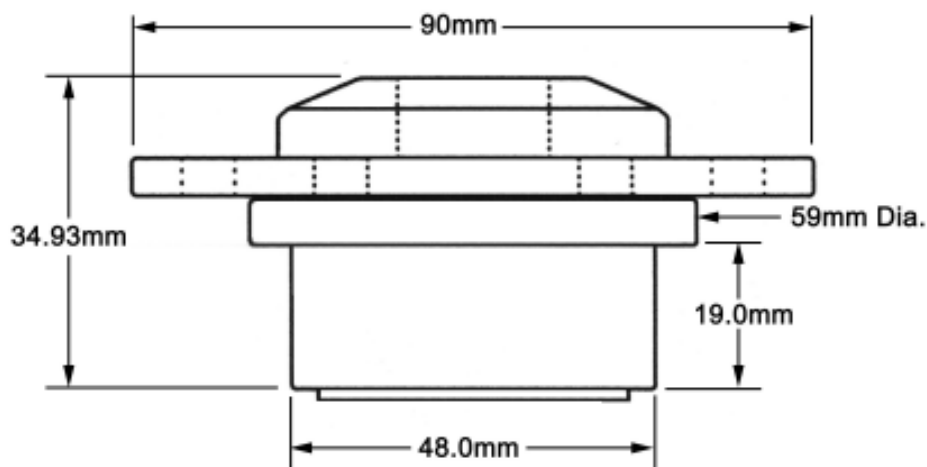


AMBIT DIAPHRAGM SEALS

•PAPER INDUSTRY• TYPE

Model No. ADS-PS2040



Technical Specifications

- Material of Construction: 316 stainless steel
- Diaphragm: 316 stainless steel welded
- Fitted with a filling plug for correct calibration after vacuum evacuation
- Includes loose collar with 6 x 7mm Dia. holes on 70.0mm P.C.D.
- All welds integrity tested with helium
- Standard •fill• fluid non-toxic silicon oil, Dow Corning 200 Fluid 100CS

AMBIT Instruments Pty Ltd Head Office: 42 Titan Drive Carrum Downs Vic 3201
Phone: 03 9776.8888 Fax: 03 9776.8656 email: contact@ambitinst.com.au
Website: www.ambitinst.com.au
NSW Office: 10/272-274 Victoria St Wetherill Park NSW 2150 Phone: 02 9604 3544
Fax: 02 9604 3677 email: nswsales@ambitinst.com.au

