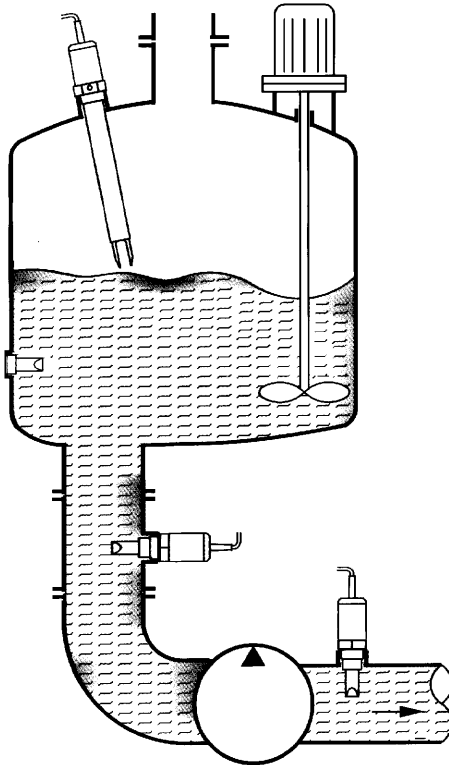


# SPECIFICATIONS

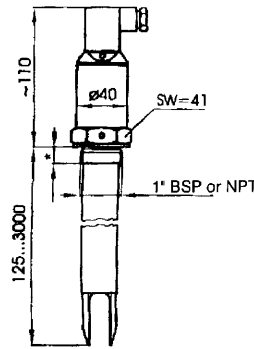
Power supply	: 20 - 255 Vac 12 - 55 Vdc
Output	: 2-wire AC or DC 3-wire PNP / NPN
Temperature	: - 40° C to +120° C
Ambient temperature	: - 40° C to + 70° C
Max. pressure	: -1 to +40 bar
Max. viscosity	: 10.000 mm <sup>2</sup> /s (cSt)
Material probe	: AISI 316L (Ra < 1,5 µm)
Insertion length	: 47 mm, 100 mm... 3 m.
Protection	: Connector IP65 cable IP68
Switch indication	: by LED
Processconnections	: G1" (1" BSP) Standard for others, see ordercode

Specifications can change without notice

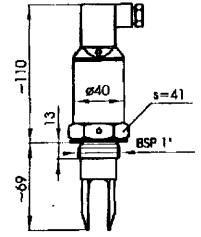


# DIMENSIONS

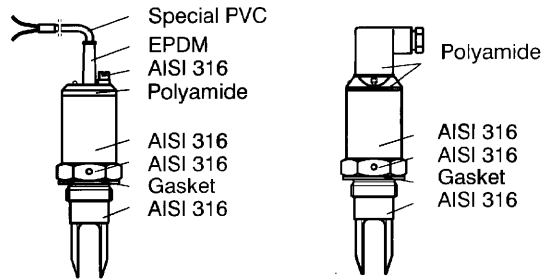
Extended model



Short model



# MATERIALS



# APPLICATIONS

- Application examples are:** (see drawing)
- Max. level detection in tank
  - Min. level detection in tank
  - Dry run protection of pumps
  - Long version with extended insertion length for min./max. level detection.

# ORDERING CODE

OPTIONS	CODE
Highly polished Ra < 0,5 µm	P
Halar (ECTFE) coated	E

**VSC** - [ ] - [ ] - [ ] - [ ]

PROCESS CONNECTIONS	CODE
1" BSP (standard)	S
1" NPT	N
Milk coupling DN 40 (DIN11851)	M40
Milk coupling DN 50	M50
Tri clamp (1½" or 2")	L2"
Flange (Specify size)*	F
Special connection	X

INSERTION LENGTH	CODE
SHORT (47 mm)*	47
Standard (100 mm)	100
0.2 to 3 meter	0,2...3

\* Insertion length with Tri-clamp process connection is 69 mm.  
\* Flanged connections are supplied with Vibra Switch, screwed (1" BSP) in flange.

OUTPUT	CODE
2-wire AC with connector (IP65)	1
2-wire AC with cable (IP68)	2
3-wire PNP / NPN connector	3
3-wire PNP / NPN cable	4
2-wire DC connector	6
2-wire DC cable	7
2-wire Ex connector	8
2-wire Ex cable	9

## Vibra-Switch "C"

Ambit Instruments Pty Ltd

Melbourne Office: 42 Titan Drive Carrum Downs 3201 Ph 03.9776.8888

Sydney Office: 29/2 O'Connell Street Parramatta 2150 Ph 02.9891.1222