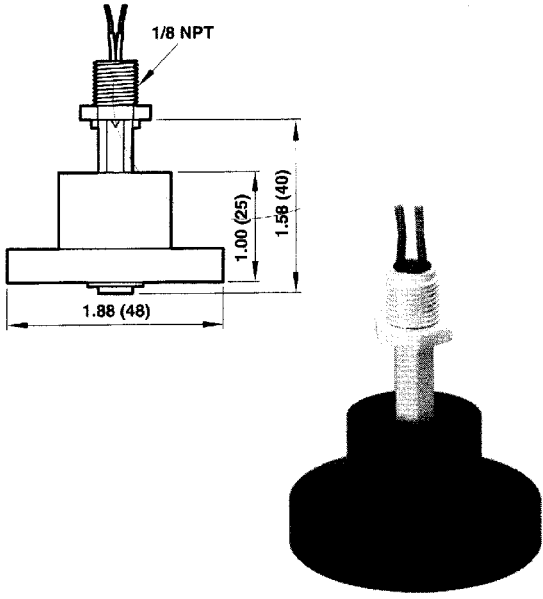


# AMBIT Instruments Pty Ltd

## LS 1 Series Ultra Low Level

*When You Just Can't Detect Low Enough - The KIP Ultra Low Level Switch Can Detect Liquids as Low as 5/8"*



### FEATURES:

- Due to the float shape and displacement, the reed switch is activated with float riding close to the surface of the liquid
- Variety of stem materials to meet your specific requirements
- Float can be combined with other floats on a miniature multi-level control only (see pages 67-68) for a custom liquid level sensor to meet your needs
- Available in different lead wire lengths, with connectors for OEM's

### Specifications:

Maximum Pressure	50 PSI (3.4 bar)
Temp. Operating Range	-40° to 180°F in Water (-40° to 82°C) 40° to 225°F in Oil (-40° to 107°C) (Stainless and Brass)
Mounting	1/8" NPT
Leads	22 AWG, 24" long

### LS 1 Series Ultra Low Level:

Part Number	Stem Material	Float Material	Other Material	Switch Rating
0768-024	Polypro	Buna N	316 SS	20VA N.C.
0769-024	Brass	Buna N	316 SS	20VA N.C.
0774-024	316 SS	Buna N	316 SS	20VA N.C.

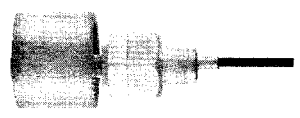
## LS 1 Series - Sidemount

Sidemounted Unit Ideal for Tight Spaces

### Type B



### Type P



### FEATURES:

- Sidemount design fits small vessels
- Minimal float travel and displacement
- Highly chemical resistant

### Specifications

Maximum Pressure	Type B 70 PSI (4.8 bar) Type P 40 PSI (2.8 bar)
Temperature Range	Type B -40°F to 176°F (-40° to 80°C) Type P -40°F to 176°F (-40° to 80°C)
Mounting	PF 1/4
Leads	22 AWG, 24" long
Recommended Minimum Liquid SP GR	Type B .60 Type P .80

### LS 1 Sidemount Ordering Numbers

Part Number	Stem Material	Float Material	Other Wetted Parts	Switch Rating
0508-024	Polyacetal	Buna N	316 SS	20VA
0509-024	Polypro	Polypro	Polypro	20VA

