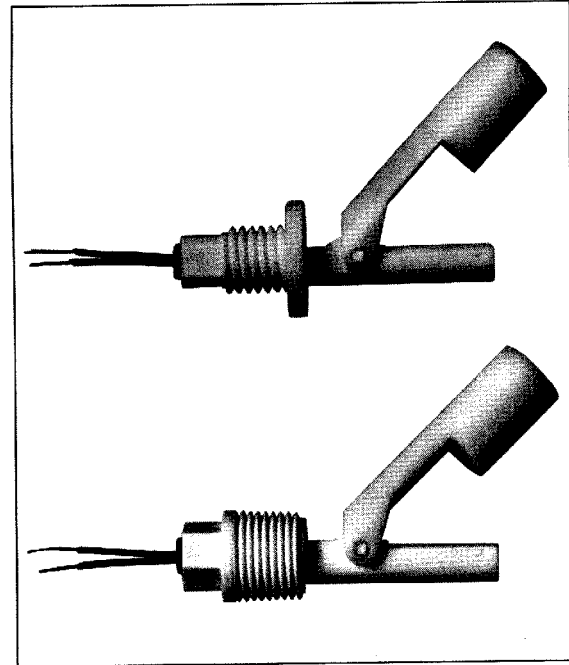


AMBIT Instruments Pty Ltd

LS 11 Plastic Sidemount

- Direct side mounted level controls in Polypropylene and PBT
- All polypropylene construction offers broad fluid compatibility
- Single unit offers normally open or normally closed operation
- Mounting available internally or direct external entry



Normally Open Dry Condition:

- Float rises with liquid level to stop, where upon switch closes.

Normally Closed Dry Condition:

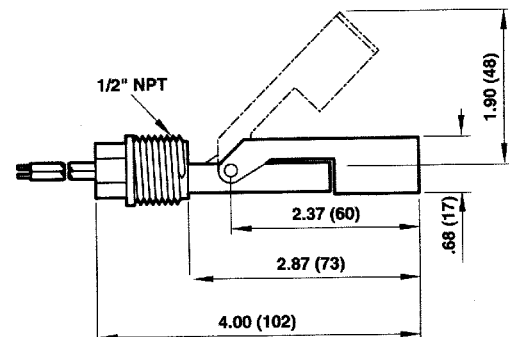
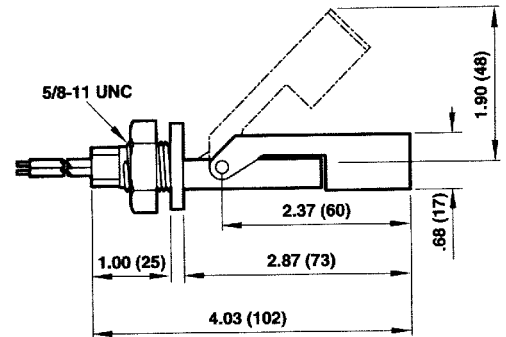
- Float falls with liquid level to stop, where upon switch closes.

Actuation point is 15° +10° of float arc.



Specifications

Maximum Pressure	100 PSI (6.9 bar) @ 70°F
Temp. Operating Range	-40°F to 150°F (-40° to 66°C) Polypro -40°F to 225°F (-40° to 107°C) PBT
Leads	22 AWG, 24" long
Recommended Minimum Liquid SP GR	.65



LS 11 Ordering Numbers:

Part Number	Mounting	Material	Switch Rating
1870-024†	1/2" NPT	Polypro	20VA
1871-024	1/2" NPT	PBT	20VA
1872-024†	5/8-11 UNC	Polypro	20VA
1873-024	5/8-11 UNC	PBT	20VA

† "NSF Certified" - these products conform to the requirements of NSF Criteria C2 - Special and/or Devices.
- for NSF label add prefix N to the part number when calling