

EFV SERIES

ADJUSTABLE EXCESS FLOW VALVE

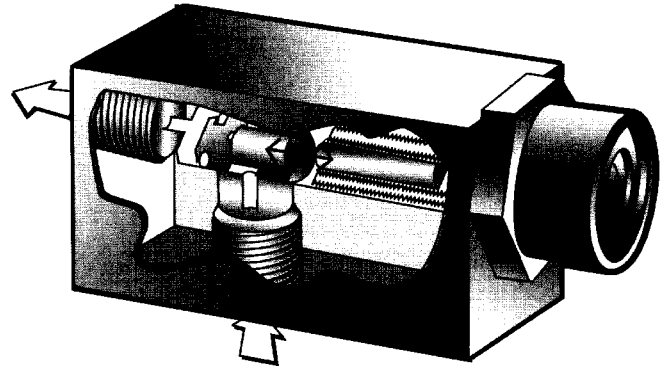
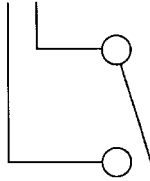
For preventing uncontrolled flows of gases and liquids

Switch Data SPST

Hermetically Sealed Reed Switch
 Max. Switching Voltage
 DC (V) 200
 AC (V) 150
 Contact Rating
 DC (W) 50
 AC (VA) 70
 Max. Switching Current
 DC (A) 1.0
 AC (A) 0.7

Leads SPST

leads 18 in. min. from body 22
 AWG, TFE insulation



Specifications

Unit	Max. Working Pressure PSIG (BARG)	Wetted Parts	Seals
Brass	1500 (103.42)	Brass, Epoxy, Delrin**	Viton®
316ss	3000 (206.84)	316ss, Epoxy	Viton®

**Brass Piston in 125 Unit

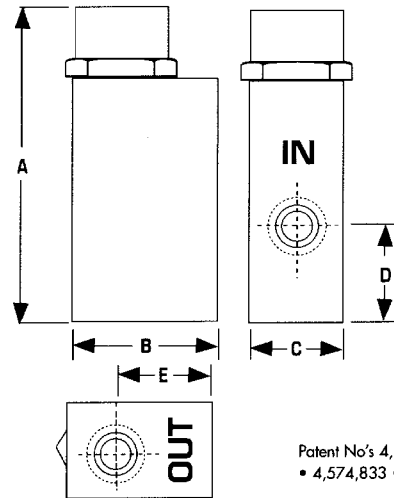
Fluid Ports: Inlet/Outlet Ports - See Calibration Ranges

Temperature Operating Range:

32 to 220° F (0 to 104° C)

Installation:

The 125, 250 and 375 series can be mounted in any position. The 500 and 750 series can be mounted in any position except with the outlet port down. We suggest the unit be calibrated in the attitude in which it will be installed. An actuation point approximately 3 or 4 times normal flow rate should be chosen to avoid the valve actuating from initial pressurization of the system and normal surges. If flow is kept constant, an actuation point 10% above the normal flow rate may be used.



Patent No's 4,637,427 • 4,630,799
 • 4,574,833 • Others may apply

MODEL	WEIGHT		DIMENSIONS Inches (mm)				
	Lbs	(grams)	A	B	C	D	E
EFV-125	0.25	(113.4)	2.5 (64)	1.00 (25)	0.75 (19)	0.70 (17)	0.63 (16)
EFV-250	0.50	(226.8)	3.3 (84)	1.50 (38)	1.00 (25)	1.00 (25)	1.00 (25)
EFV-375	0.50	(226.8)	3.3 (84)	1.50 (38)	1.00 (25)	1.00 (25)	1.00 (25)
EFV-500	1.00	(453.6)	4.0 (102)	2.00 (50)	1.25 (31)	1.25 (31)	1.38 (35)
EFV750	1.50	(680.4)	4.9 (124)	2.25 (57)	1.25 (31)	1.63 (41)	1.63 (41)

How To Order

EFV Model	-	125 Size	B Material	PSO Positive Shut-Off	ES Electric Switch	OPTIONS
		125	B Brass	Blank for Controlled	Normally Open*	Any of the following options may be added.
		250	316 316ss	Bleed Model	(ES not available on 125 model)	O2 Oxygen Cleaned
		375	Other material available on request			HT High Temperature Unit 340°F (171°C)
		500				KZ Kalrez® Seals
		750				EPR EPR Seals
						Z Special Custom
						FP Factory Presetting (State flow rate, medium, and line pressure)
						Welded Fittings*

Note:
 All dimensions and specifications are subject to change for quality improvement. Not responsible for printing errors.

©Viton - E. I. Dupont & Co.

©Kalrez - E. I. Dupont & Co.

CTE
 CHEM TEC

*Consult Factory