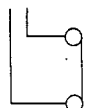
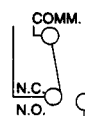
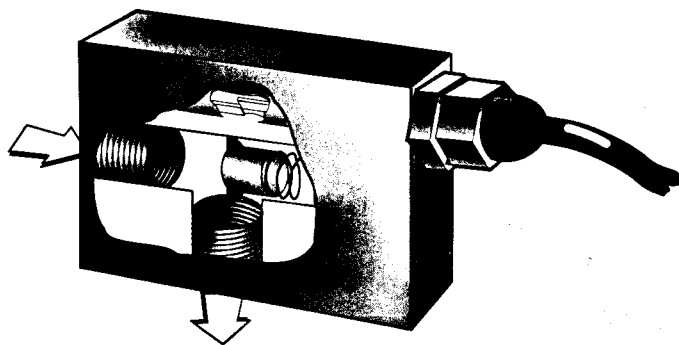


ADJUSTABLE FLOW MONITOR

For low cost monitoring of corrosive liquid flows

Switch Data		Leads
SPST Hermetically Sealed Reed Switch	SPDT SPDT is not recommended for A/C	SPST 24 in. min. from body 22 AWG PVC Red Black Jacketed Wire
Max. Switching Voltage DC (V) 200 AC (V) 150	Max. Switching Voltage DC (V) 100	
Contact Rating DC (W) 50 AC (VA) 70	Contact Rating DC (W) 3	SPDT (Optional) 24 in. min. from body 24 AWG, PVC jacketed Wire
Max. Switching Current DC (A) 1.0 AC (A) 0.7	Max. Switching Current DC (A) .25	
		*green - N.O. *red - N.C. *black - common

Above values for resistive loads only. For inductive loads, surge current and rush current - contact protection is required, consult your local representative. SPDT unit not UL Recognized.



Specifications

Unit	Weight Lbs. (Kg)	Maximum Working Pressure PSIG (BAR)	Wetted Parts
LCA-250	.375 (.17)	100 (6.89)	PVC,
LCA-375	.375 (.17)	100 (6.89)	
LCA-500	.375 (.17)	100 (6.89)	Epoxy,
LCA-750	.625 (.283)	100 (6.89)	316ss

Fluid Ports: See Calibration Chart

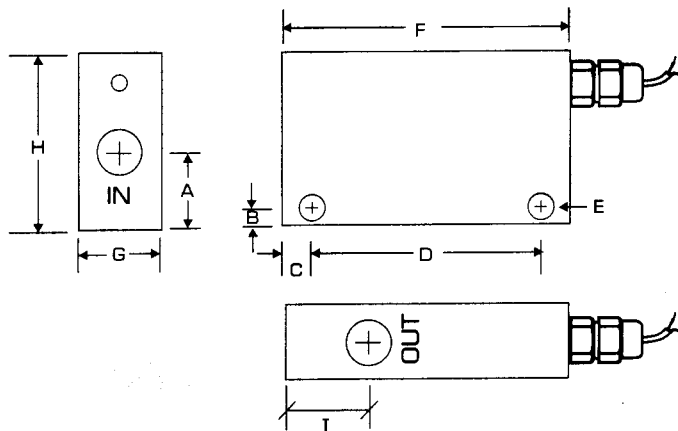
Temperature Operating Range:

PVC - 32 to 120°F, Brass - 32 to 220°F

316ss - 32 to 220°F, Acrylic - 32 to 160°F

Installation:

Mount with inlet port on the side horizontally. Other attitudes would change the adjustable range of the unit. A 100 micron filter is recommended.



Dimensions Inches (mm)

Model	A	B	C	D	E	F	G	H	I
LCA-250	1.00 (25.4)	0.30 (7.62)	0.38 (9.65)	2.25 (57.15)	9/32 (7.14)	3.0 (76.2)	1.00 (25.4)	2.00 (50.8)	1.25 (31.8)
LCA-375	1.00 (25.4)	0.30 (7.62)	0.38 (9.65)	2.25 (57.15)	9/32 (7.14)	3.0 (76.2)	1.00 (25.4)	2.00 (50.8)	1.25 (31.8)
LCA-500	1.00 (25.4)	0.30 (7.62)	0.38 (9.65)	2.25 (57.15)	9/32 (7.14)	3.0 (76.2)	1.00 (25.4)	2.00 (50.8)	1.25 (31.8)
LCA-750	1.63 (41.4)	0.30 (7.62)	0.38 (9.65)	3.25 (82.55)	9/32 (7.14)	4.0 (101.6)	1.25 (31.8)	2.75 (69.9)	1.63 (41.4)

How To Order

LCA - **375**
Model **Size**

250
375
500
750

P

Material

P PVC
A Acrylic
B Brass
S 316ss

XO

**Factory
Pre-set
Options**

-00, -10,
-20, -30
(See Flow
Settings)

W

**Type of
Service**

W- Water

SPDT

Switch Options

N.C.- Normally
Closed
N.O.- Normally
Open
SPDT- Single Pole
Double Throw

OPTIONS

**Any Other Option
S***

Special - Consult Factory